

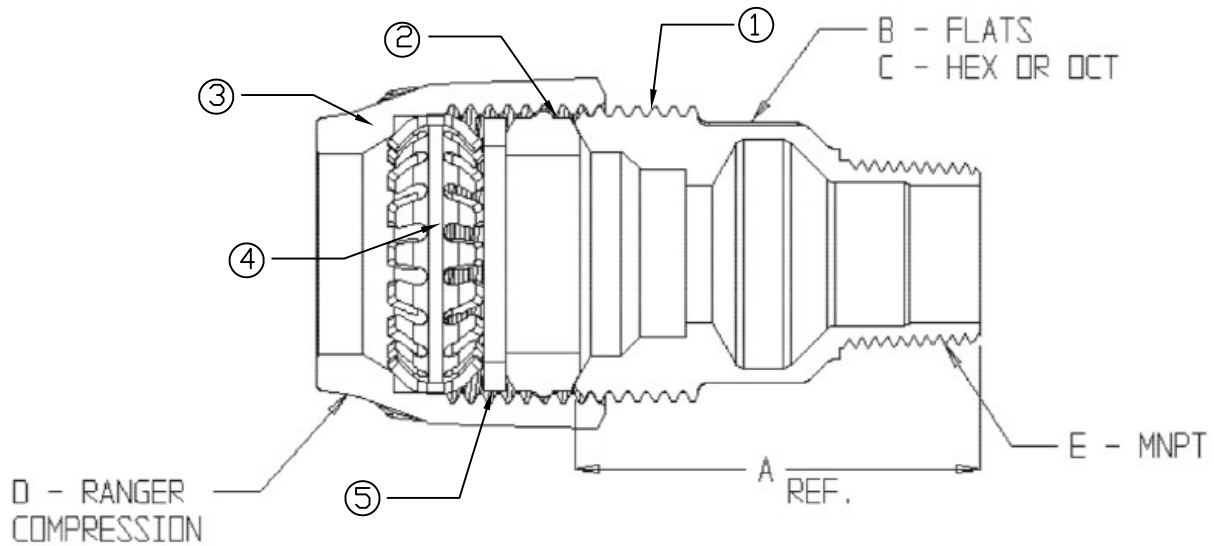
Cambridge Brass
P.O. Box 249
140 Orion Place
Cambridge, Ontario
Canada N1R 5V1
Tel: (519) 621-5520
Fax: (519) 621-8674
http://www.cambridgebrass.com



MODEL NO. 117NL

RANGER X MIP

ADAPTOR



- PARTS AND MATERIAL:
1. COUPLING BODY: CAST BRASS, CDA ALLOY C89833
 2. GASKET: EPDM RUBBER
 3. RANGER NUT: CAST BRASS, CDA ALLOY C83600
 4. GRIPPER RING: 301 STAINLESS STEEL
 5. WASHER: BRASS CDA ALLOY 83600

FEATURES:

- CONFORMS TO AWWA C800 (ASTM B584 UNS C89833 FOR ALL BRASS PARTS IN CONTACT WITH POTABLE WATER)
- CONFORMS TO ANSI/NSF 61-8
- CONFORMS TO ANSI/NSF 372 (COMPLIANT WITH US Safe Drinking Water Act. PL111-380)
- BODY PROVIDES WRENCH FLATS FOR INSTALLATION
- 300 PSI WORKING PRESSURE

Cambridge Brass considers the information in this submittal form to be correct at the time of publication. Item and option availability, including specifications, are subject to change without notice.

| CATALOG NO. | SIZE | A | B | C | D | E | PIPE/TUBE SIZE RANGE (IN.) |
|-------------|--------|-------|-------|-----|--------|--------|----------------------------|
| 117NL-E3M3 | 3/4" | 2.19" | 1.38" | OCT | 3/4" | 3/4" | .871-1.089 |
| 117NL-E4M4 | 1" | 2.77" | 1.65" | OCT | 1" | 1" | 1.120-1.399 |
| 117NL-E5M5 | 1 1/4" | 2.91" | 1.70" | OCT | 1 1/4" | 1 1/4" | 1.370-1.804 |
| 117NL-E6M6 | 1 1/2" | 3.36" | 2.00" | OCT | 1 1/2" | 1 1/2" | 1.619-2.109 |

Submitted by: