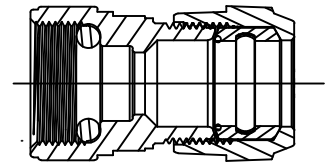


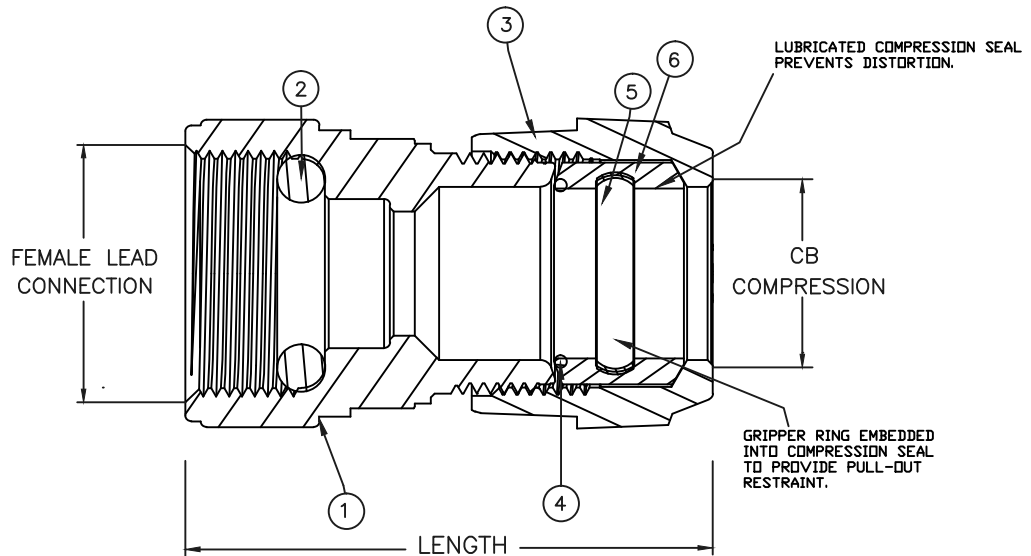
Cambridge Brass  
P.O. Box 249  
140 Orion Place  
Cambridge, Ontario  
Canada N1R 5V1  
Tel: (519) 621-5520  
Fax: (519) 621-8674  
http://www.cambridgebrass.com



MODEL NO. 117NL

FEMALE LEAD CONNECTION x  
CB COMPRESSION

ADAPTOR



1. BODY: NL CAST BRASS, ALLOY C89833
2. GASKET: NITRILE RUBBER
3. COMPRESSION NUT: CAST BRASS, ALLOY C83600
4. CONDUCTOR SPRING: BRASS
5. GRIPPER: STAINLESS STEEL, TYPE 304
6. COMPRESSION SEAL: EPDM

**FEATURES:**

- ALL COMPONENTS CONFORM TO AWWA C800 (ASTM B-584, UNS NO C89833 FOR BRASS PARTS IN CONTACT WITH POTABLE WATER, AND ASTM B-62 AND B-584, UNS NO C83600 FOR ALL OTHER BRASS PARTS).
- CONFORMS TO ANSI/NSF 61-8
- CONFORMS TO ANSI/NSF 372 (COMPLIANT WITH US Safe Drinking Water Act. PL 111-380)
- BODY PROVIDES LARGE, RUGGED WRENCH FLATS FOR PROPER INSTALLATION.
- 300 PSI WORKING PRESSURE.

Cambridge Brass considers the information in this submittal form to be correct at the time of publication. Item and option availability, including specifications, are subject to change without notice.

CATALOG NO.	FEMALE LEAD CONNECTION	CB COMPRESSION	LENGTH	APPROX. WT. LBS.
117NL-FL2H3	5/8"	3/4"	2.69"	0.732
117NL-FL3H3	3/4"	3/4"	2.56"	0.750

Submitted by: