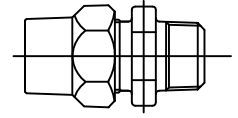


Cambridge Brass  
P.O. Box 249  
140 Orion Place  
Cambridge, Ontario  
Canada N1R 5V1  
Tel: (519) 621-5520  
Fax: (519) 621-8674  
http://www.cambridgebrass.com

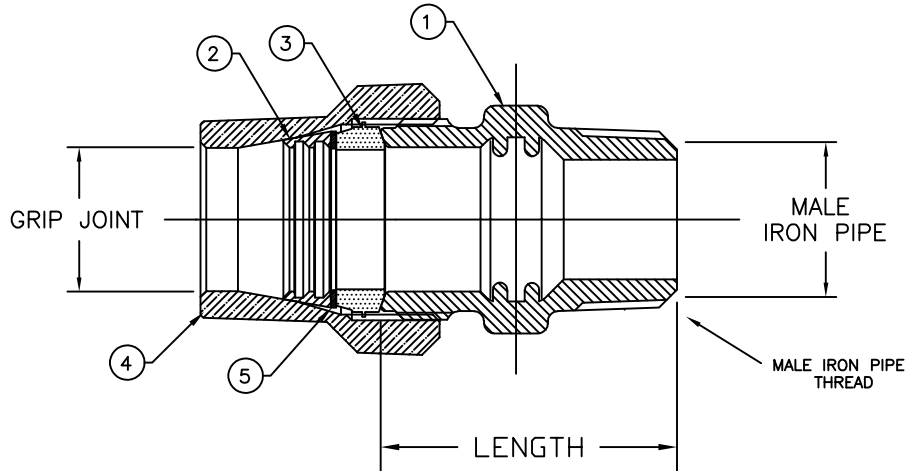


MODEL NO. 117NL

GRIP JOINT x  
MALE IRON PIPE

ADAPTOR

FOR COPPER OR PLASTIC TUBING (CTS) x THREADED PIPE



- PARTS AND MATERIAL:
1. BODY: CAST BRASS, ALLOY C89833
  2. GRIPPER: BRASS, ALLOY C26000
  3. GASKET: NITRILE RUBBER
  4. COMPRESSION NUT: CAST BRASS, ALLOY C83600
  5. WASHER: POLETHYLENE

- FEATURES:
- MANUFACTURED IN COMPLIANCE WITH AWWA STANDARD C800 (ASTM B-62 AND ASTM B-584, UNS NO C89833 (NO LEAD BRASS).
  - BODY PROVIDES LARGE, RUGGED WRENCH FLATS FOR PROPER INSTALLATION.
  - CONFORMS TO ANSI/NSF 61-8
  - CONFORMS TO ANSI/NSF 372 (COMPLIANT WITH US Safe Drinking Water Act. PL 111-380)
  - 300 PSI WORKING PRESSURE.

Cambridge Brass considers the information in this submittal form to be correct at the time of publication. Item and option availability, including specifications, are subject to change without notice.

COUPLING SIZE	CATALOG NO.	GRIP JOINT	FEMALE IRON PIPE	LENGTH	APPROX. WT. LBS.
3/4" x 1/2"	117NL-GJ3M1	3/4"	1/2"	1.76"	0.7
3/4"	117NL-GJ3M3	3/4"	3/4"	2.09"	0.6
3/4" x 1"	117NL-GJ3M4	3/4"	1"	1.98"	0.7
1" x 3/4"	117NL-GJ4M3	1"	3/4"	2.02"	1.2
1"	117NL-GJ4M4	1"	1"	2.08"	1.1
2"	117NL-GJ7M7	2"	2"	3.04"	2.7

Submitted by: