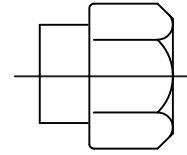


Cambridge Brass
P.O. Box 249
140 Orion Place
Cambridge, Ontario
Canada N1R 5V1
Tel: (519) 621-5520
Fax: (519) 621-8674
http://www.cambridgebrass.com

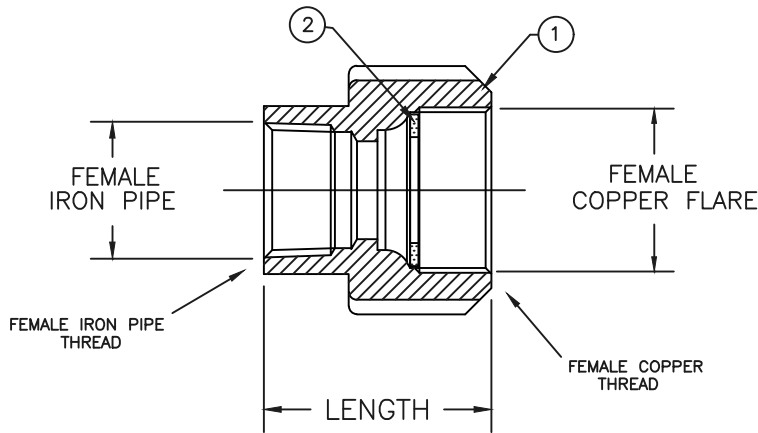


MODEL NO. 117NL

FEMALE IRON PIPE x
FEMALE COPPER FLARE

ADAPTOR

REPLACES COPPER FLARE NUT



PARTS AND MATERIAL:

- 1. BODY: CAST BRASS, ALLOY C89833
- 2. SEALING WASHER: COPPER ALLOY C11000

FEATURES:

- MANUFACTURED IN COMPLIANCE WITH AWWA STANDARD C800 (ASTM B-62 AND ASTM B-584, UNS NO C89833 (NO LEAD BRASS).
- BODY PROVIDES LARGE, RUGGED WRENCH FLATS FOR PROPER INSTALLATION.
- CONFORMS TO ANSI/NSF 61-8
- CONFORMS TO ANSI/NSF 372 (COMPLIANT WITH US Safe Drinking Water Act. PL 111-380)
- 300 PSI WORKING PRESSURE.

Cambridge Brass considers the information in this submittal form to be correct at the time of publication. Item and option availability, including specifications, are subject to change without notice.

CATALOG NO.	FEMALE IRON PIPE	FEMALE COPPER FLARE	LENGTH	APPROX. WT. LBS.
117NL-F3P3	3/4"	3/4"	1.74"	0.6
117NL-F4P4	1"	1"	1.91"	0.8
117NL-F6P6	1 1/2"	1 1/2"	2.30"	1.8
117NL-F7P7	2"	2"	2.75"	2.3

Submitted by: