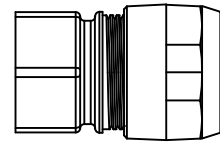


Cambridge Brass
P.O. Box 249
140 Orion Place
Cambridge, Ontario
Canada N1R 5V1
Tel: (519) 621-5520
Fax: (519) 621-8674
http://www.cambridgebrass.com

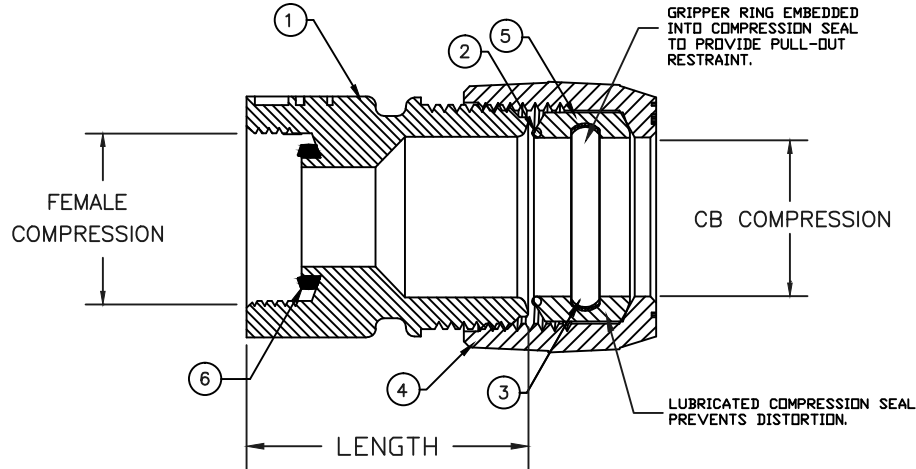


MODEL NO. 117NL

CB COMPRESSION x
FEMALE COMPRESSION

ADAPTOR

FOR COPPER OR PLASTIC (CTS) TUBING x THREADED PIPE



PARTS AND MATERIAL:

1. BODY: NL CAST BRASS, ALLOY C89833
2. CONDUCTOR SPRING: BRASS
3. GRIPPER: STAINLESS STEEL, TYPE 302
4. COMPRESSION NUT: CAST BRASS, ALLOY C83600
5. COMPRESSION SEAL: EPDM
6. GASKET: NITRILE RUBBER

FEATURES

- CONFORMS TO AWWA C800 (ASTM B584 UNS C89833 FOR BRASS PARTS IN CONTACT WITH POTABLE WATER)
- CONFORMS TO ANSI/NSF 61-8
- CONFORMS TO ANSI/NSF 372 (COMPLIANT WITH US Safe Drinking Water Act. PL 111-380)
- BODY AND NUTS PROVIDE WRENCH FLATS FOR INSTALLATION
- 300PSI WORKING PRESSURE

Cambridge Brass considers the information in this submittal form to be correct at the time of publication. Item and option availability, including specifications, are subject to change without notice.

COUPLING SIZE	CATALOG NO.	CB COMPRESSION	FEMALE COMPRESSION	LENGTH	APPROX. WT. LBS.
1" x 3/4"	117NL-H403	1"	3/4"	1.96"	1.0
1 1/4" x 3/4"	117NL-H503	1 1/4"	3/4"	3.60"	1.16

Submitted by: