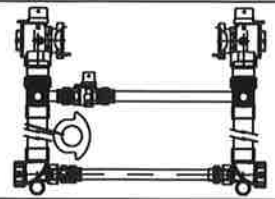


# SUBMITTAL INFORMATION

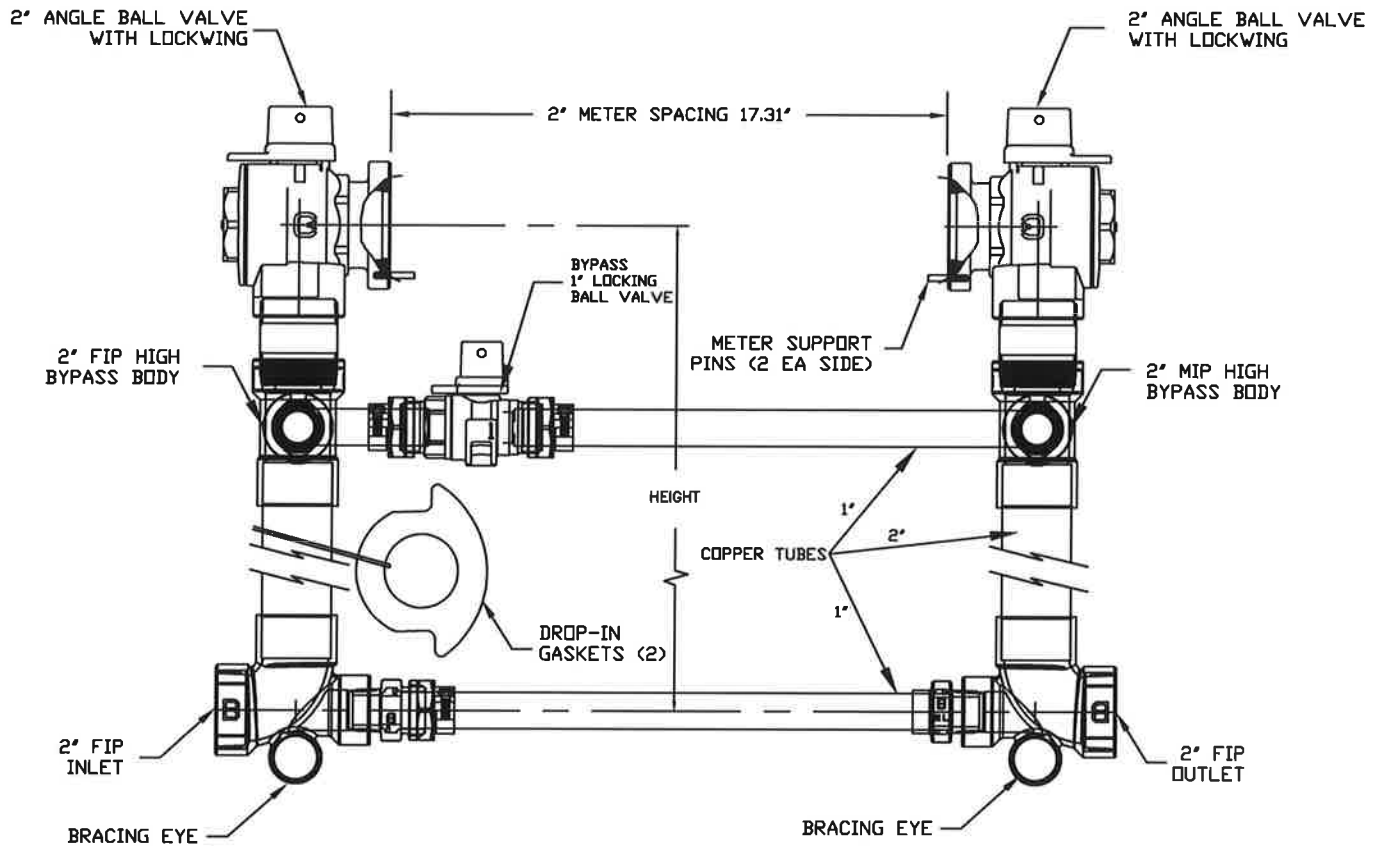
METER SETTER 6020NL-7\_\_F7F7-UUHB



ANGLE BALL VALVE X ANGLE BALL VALVE (AT 2" METER)

FEMALE IRON PIPE THREAD INLET AND OUTLET

WITH 1" HIGH BYPASS



### FEATURES:

- MANUFACTURED IN COMPLIANCE WITH AWWA C800 (ASTM B-62 AND ASTM B-584, UNS NO C83600-85-5-5-5).
- CONFORMS TO ANSI/NSF 372 (COMPLIANT WITH US Safe Drinking Water Act. PL 111-380)
- 300 PSI WORKING PRESSURE
- ASSEMBLED WITH LEAD FREE SOLDER.
- CONSTRUCTED WITH TYPE K COPPER TUBING, ALLOY C12200 MANUFACTURED TO ASTM B88.
- FACTORY TESTED AT 90 PSI AIR PRESSURE UNDER WATER.
- EPDM METER GASKETS PROVIDED.
- ANGLE VALVES HAVE PADLOCK WINGS FOR LOCKING VALVES IN CLOSED POSITION.

HEIGHT	CATALOG NUMBER	APPROX. WT. LBS.
12"	6020NL-712F7F7-UUHB	
15"	6020NL-715F7F7-UUHB	
18"	6020NL-718F7F7-UUHB	
21"	6020NL-721F7F7-UUHB	
24"	6020NL-724F7F7-UUHB	
27"	6020NL-727F7F7-UUHB	

Cambridge Brass considers the information in this submittal form to be correct at the time of publication. Item and option availability, including specifications, are subject to change without notice.

Cambridge Brass  
 P.O. Box 249, 140 Orton Place  
 Cambridge, Ontario  
 Canada N1R 5V1  
 Tel: (519) 621-5520  
 Fax: (519) 621-8674  
<http://www.cambridgebrass.com>



SUBMITTED BY:

JUN. 2015