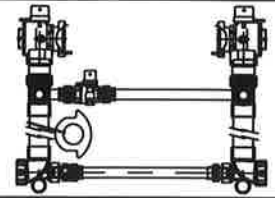


# SUBMITTAL INFORMATION

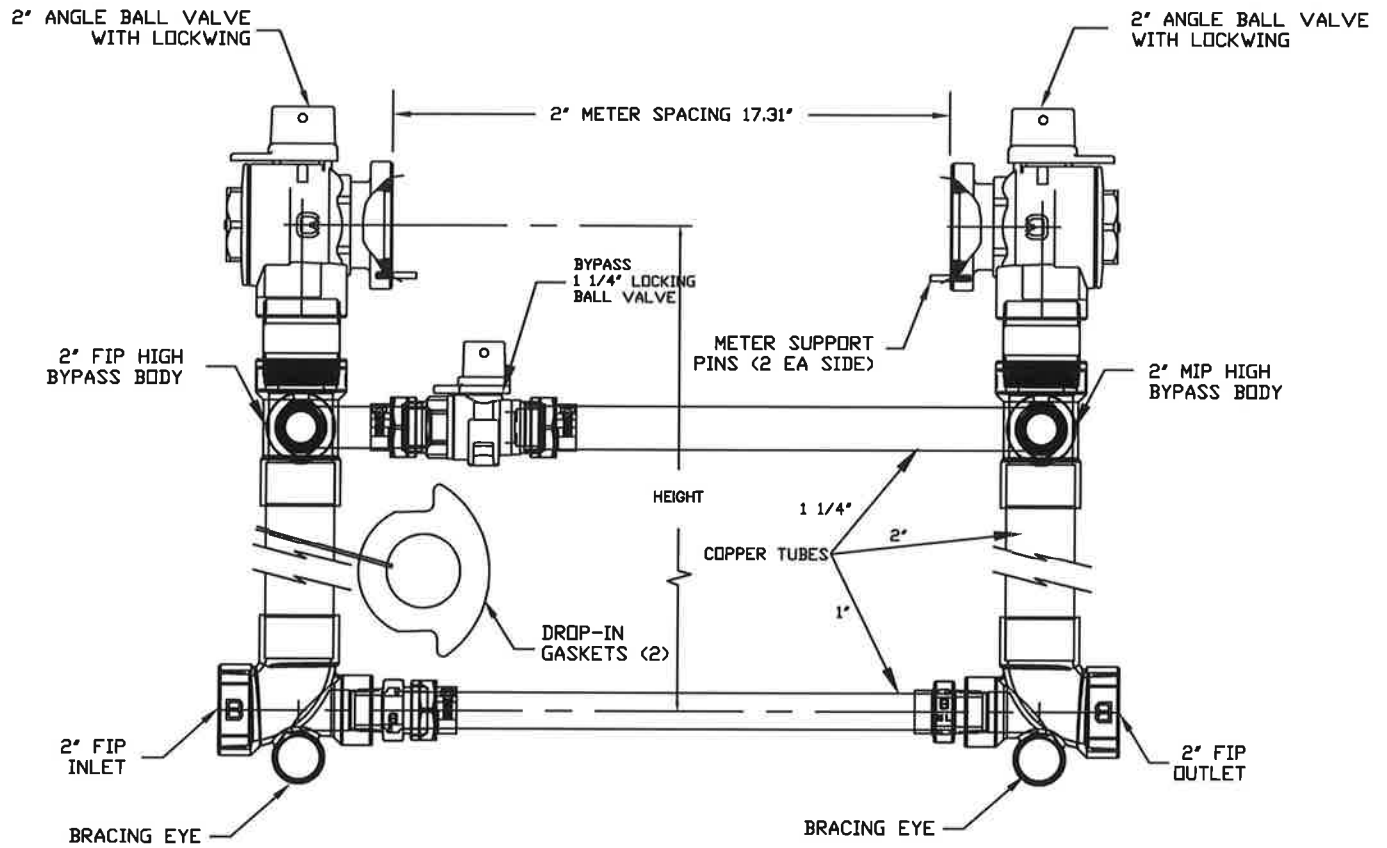
METER SETTER 6020NL-7\_\_F7F7-UUHB5



ANGLE BALL VALVE X ANGLE BALL VALVE (AT 2" METER)

FEMALE IRON PIPE THREAD INLET AND OUTLET

WITH 1 1/4" HIGH BYPASS



## FEATURES:

- CONFORMS TO ANSI/NSF 61-8
- MANUFACTURED IN COMPLIANCE WITH AWWA C800 (ASTM B-584, UNS C89833 FOR ALL BRASS IN CONTACT WITH WATER)
- CONFORMS TO ANSI/NSF 372 (COMPLIANT WITH US Safe Drinking Water Act. PL 111-380)
- 300 PSI WORKING PRESSURE
- ASSEMBLED WITH LEAD FREE SOLDER.
- CONSTRUCTED WITH TYPE K COPPER TUBING, ALLOY C12200 MANUFACTURED TO ASTM B88.
- FACTORY TESTED AT 90 PSI AIR PRESSURE UNDER WATER.
- EPDM METER GASKETS PROVIDED.
- ANGLE VALVES HAVE PADLOCK WINGS FOR LOCKING VALVES IN CLOSED POSITION.

| HEIGHT | CATALOG NUMBER       | APPROX. WT. LBS. |
|--------|----------------------|------------------|
| 12"    | 6020NL-712F7F7-UUHB5 |                  |
| 15"    | 6020NL-715F7F7-UUHB5 |                  |
| 18"    | 6020NL-718F7F7-UUHB5 |                  |
| 21"    | 6020NL-721F7F7-UUHB5 |                  |
| 24"    | 6020NL-724F7F7-UUHB5 |                  |
| 27"    | 6020NL-727F7F7-UUHB5 |                  |

Cambridge Brass considers the information in this submittal form to be correct at the time of publication. Item and option availability, including specifications, are subject to change without notice.

Cambridge Brass  
P.O. Box 249, 140 Orion Place  
Cambridge, Ontario  
Canada N1R 5V1  
Tel: (519) 621-5520  
Fax: (519) 621-8674  
<http://www.cambridgebrass.com>



JUN. 2015

SUBMITTED BY: