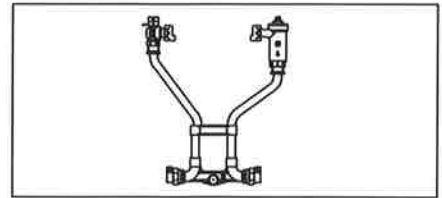
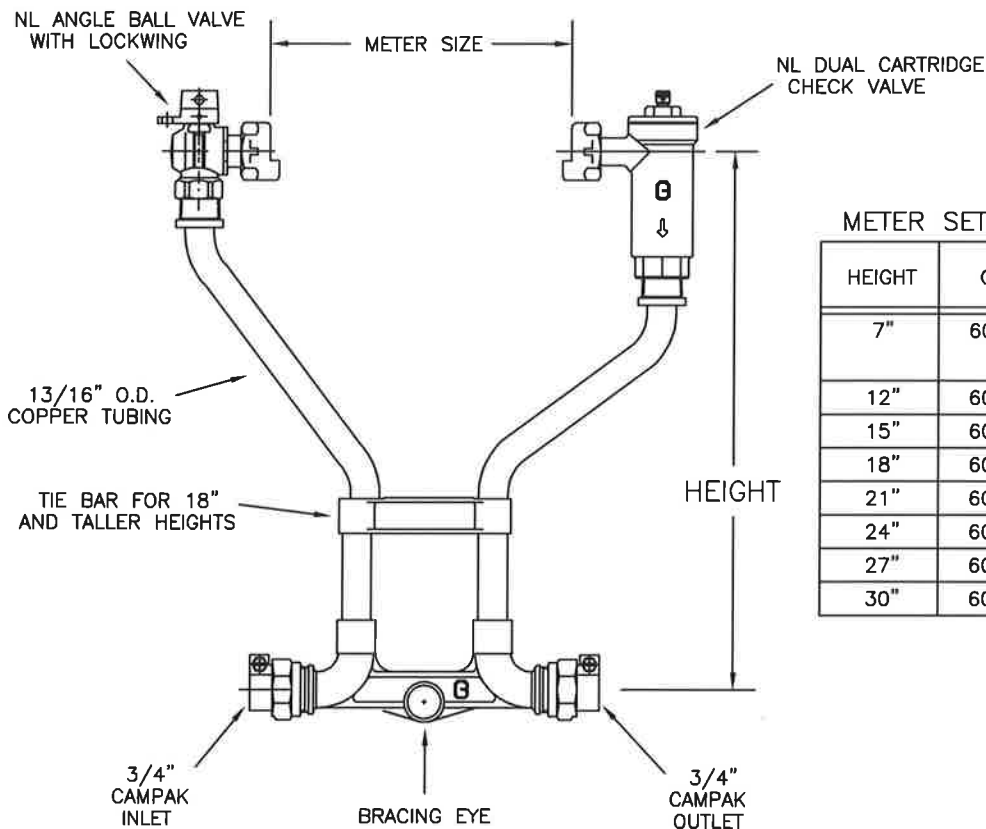


SUBMITTAL INFORMATION

METER SETTER 6020NL-2__B3B3-VQ



NL 3/4" REDUCED PORT METER BALL VALVE BY DUAL CARTRIDGE CHECK VALVE
 CAMPAK x CAMPAK COMPRESSION FOR COPPER OR PLASTIC TUBING (CTS)



METER SETTER CATALOG NUMBERS

HEIGHT	CATALOG NUMBER	APPROX. WT. LBS.
7"	6020NL-207B3B3-VQ	
12"	6020NL-212B3B3-VQ	
15"	6020NL-215B3B3-VQ	
18"	6020NL-218B3B3-VQ	
21"	6020NL-221B3B3-VQ	
24"	6020NL-224B3B3-VQ	
27"	6020NL-227B3B3-VQ	
30"	6020NL-230B3B3-VQ	

FEATURES

- CONFORMS TO ANSI/NSF 61-8
- CONFORMS TO ANSI/NSF 372 (COMPLIANT WITH US Safe Drinking Water Act. PL 111-380)
- MANUFACTURED IN COMPLIANCE WITH AWWA STANDARD C800
- SADDLE NUTS HOLD THE METER IN PLACE FOR TIGHTENING.
- TIE BAR IS STANDARD FOR 18" AND TALLER METER SETTER HEIGHTS.
- 13/16" O.D. COPPER RISERS PROVIDE MORE FLOW CAPACITY.
- ASSEMBLED WITH LEAD FREE SOLDER.
- BRACING EYE IS STANDARD.
- CONSTRUCTED WITH TYPE K COPPER TUBING ALLOY C12000 MANUFACTURED TO ASTM B88.
- METER SETTER IS SHIPPED WITH PLASTIC METER IDLER
- 180 DEG. FAHRENHEIT MAXIMUM CONSTANT TEMPERATURE.
- 175 PSI MAXIMUM WORKING PRESSURE.
- CHECK VALVE IS ASSE 1024 APPROVED

Cambridge Brass considers the information in this submittal form to be correct at the time of publication. Item and option availability, including specifications, are subject to change without notice.

Cambridge Brass
 P.O. Box 249, 140 Orion Place
 Cambridge, Ontario
 Canada N1R 5V1
 Tel: (519) 621-5520
 Fax: (519) 621-8674
<http://www.cambridgebrass.com>



REV. B - MAY 2014
 DWG. No. MSUB-59

SUBMITTED BY: