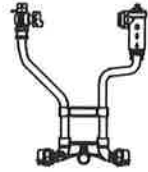


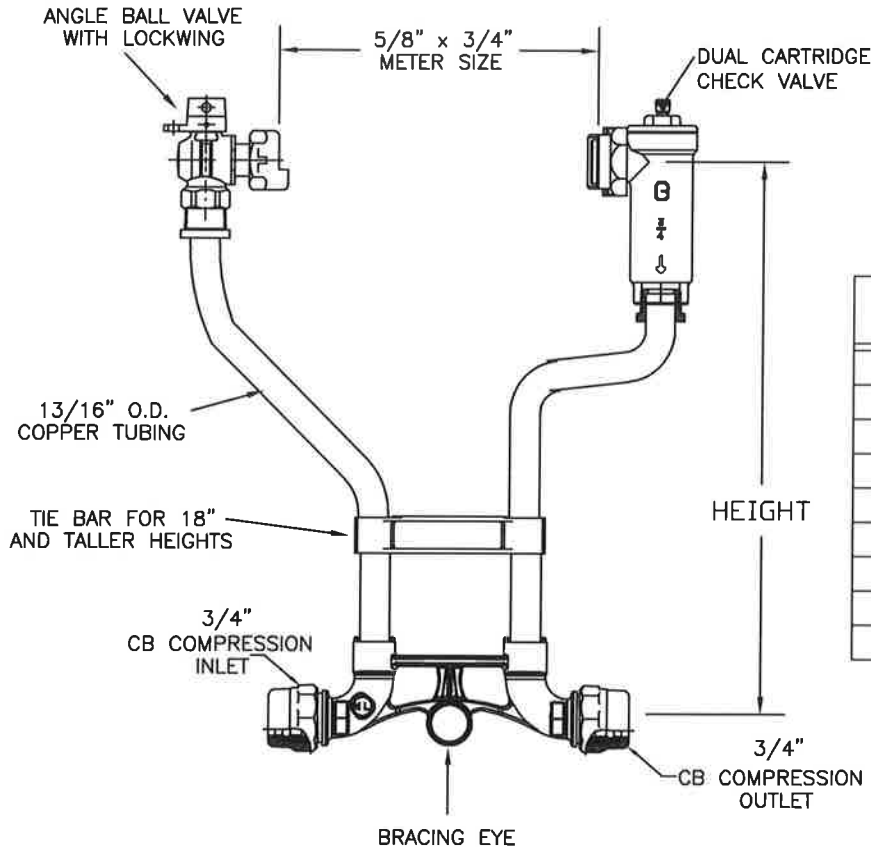
SUBMITTAL INFORMATION

METER SETTER 6020NL-2__H3H3-VQ



3/4" REDUCED PORT METER BALL VALVE BY DUAL CARTRIDGE CHECK VALVE

CB COMPRESSION x CB COMPRESSION FOR COPPER OR PLASTIC TUBING (CTS)



METER SETTER CATALOG NUMBERS

| HEIGHT | CATALOG NUMBER | APPROX. WT. LBS. |
|--------|-------------------|------------------|
| 7" | 6020NL-207H3H3-VQ | |
| 9" | 6020NL-209H3H3-VQ | |
| 12" | 6020NL-212H3H3-VQ | |
| 15" | 6020NL-215H3H3-VQ | |
| 18" | 6020NL-218H3H3-VQ | |
| 21" | 6020NL-221H3H3-VQ | |
| 24" | 6020NL-224H3H3-VQ | |
| 27" | 6020NL-227H3H3-VQ | |
| 30" | 6020NL-230H3H3-VQ | |

FEATURES:

- MANUFACTURED IN COMPLIANCE WITH AWWA STANDARD C800 (ASTM B-584, UNS NO C89833).
- CONFORMS TO ANSI/NSF 61-8
- CONFORMS TO ANSI/NSF 372 (COMPLIANT WITH US Safe Drinking Water Act. PL 111-380)
- SADDLE NUTS HOLD THE METER IN PLACE FOR TIGHTENING.
- TIE BAR IS STANDARD FOR 18" AND TALLER RESETTER HEIGHTS.
- 13/16" O.D. COPPER RISERS PROVIDE MORE FLOW CAPACITY.
- ASSEMBLED WITH LEAD-FREE SOLDER.
- BRACING EYE IS STANDARD.
- POSITIONS THE METER DIRECTLY ABOVE THE CENTERLINE OF THE SERVICE.
- FURNISHED WITH TWO RUBBER GASKETS FOR METER NUTS
- CONSTRUCTED WITH TYPE K COPPER TUBING, ALLOY C1200 MANUFACTURED TO ASTM B88.
- ANGLE VALVE HAS PADLOCK WINGS FOR LOCKING VALVE IN CLOSED POSITION.
- FACTORY TESTED AT 90 PSI AIR PRESSURE UNDER WATER.
- METER SETTER IS SHIPPED WITH PLASTIC METER IDLER

Cambridge Brass considers the information in this submittal form to be correct at the time of publication. Item and option availability, including specifications, are subject to change without notice.

Cambridge Brass
 P.O. Box 249, 140 Orion Place
 Cambridge, Ontario
 Canada N1R 5V1
 Tel: (519) 621-5520
 Fax: (519) 621-8674
<http://www.cambridgebrass.com>



REV. A - AUG 2015

SUBMITTED BY: