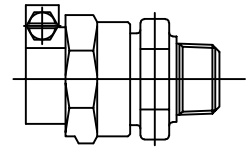


Cambridge Brass
 P.O. Box 249
 140 Orion Place
 Cambridge, Ontario
 Canada N1R 5V1
 Tel: (519) 621-5520
 Fax: (519) 621-8674
 http://www.cambridgebrass.com

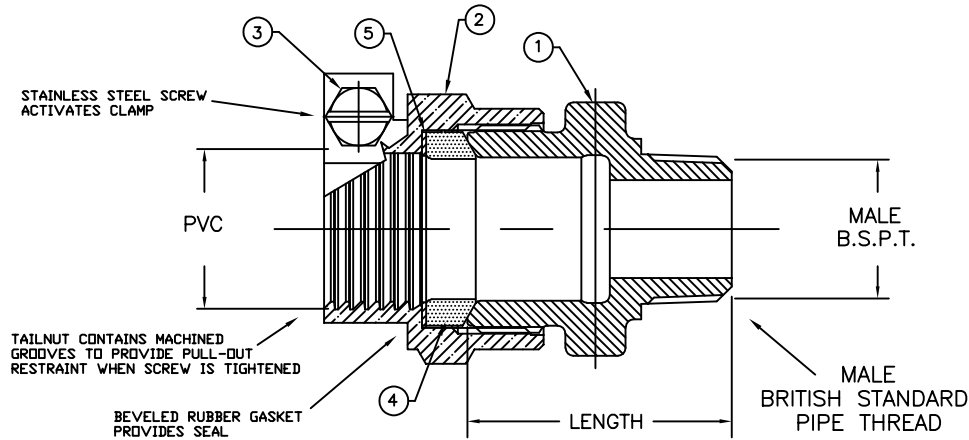


MODEL NO. 117NL

PVC
 x
 MALE BRITISH STANDARD PIPE THREAD

NO LEAD ADAPTOR

FOR PVC PIPE x THREADED PIPE



PARTS AND MATERIAL:

1. BODY: CAST BRASS, ALLOY C89833
2. PVC NUT: CAST BRASS, ALLOY C83600
3. SCREW: STAINLESS STEEL, ALLOY 304
4. GASKET: RUBBER COMPOUND NSF-61
5. ANTI-FRICTION WASHER: HDPE

FEATURES:

- CONFORMS TO ANSI/NSF 61-8.
- CONFORMS TO ANSI/NSF 372 (COMPLIANT WITH US Safe Drinking Water Act. PL 111-380).
- ALL COMPONENTS CONFORM TO AWWA C800 (ASTM B-584, UNS NO C89844 FOR BRASS PARTS IN CONTACT WITH POTABLE WATER, AND ASTM B-62 AND B-584, UNS NO C83600. FOR ALL OTHER BRASS PARTS).
- 300PSI WORKING PRESSURE
- BODY PROVIDES LARGE, RUGGED WRENCH FLATS FOR PROPER INSTALLATION.

Cambridge Brass considers the information in this submittal form to be correct at the time of publication. Item and option availability, including specifications, are subject to change without notice.

COUPLING SIZE	CATALOG NO.	PVC	MALE B.S.P.T.	LENGTH	APPROX. WT. LBS.
3/4"	117NL-PJ3BM3	3/4"	3/4"	2.02"	0.9
1"	117NL-PJ4BM4	1"	1"	2.41"	1.4

Submitted by: