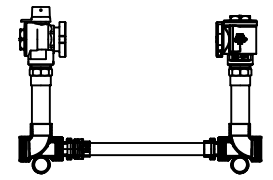


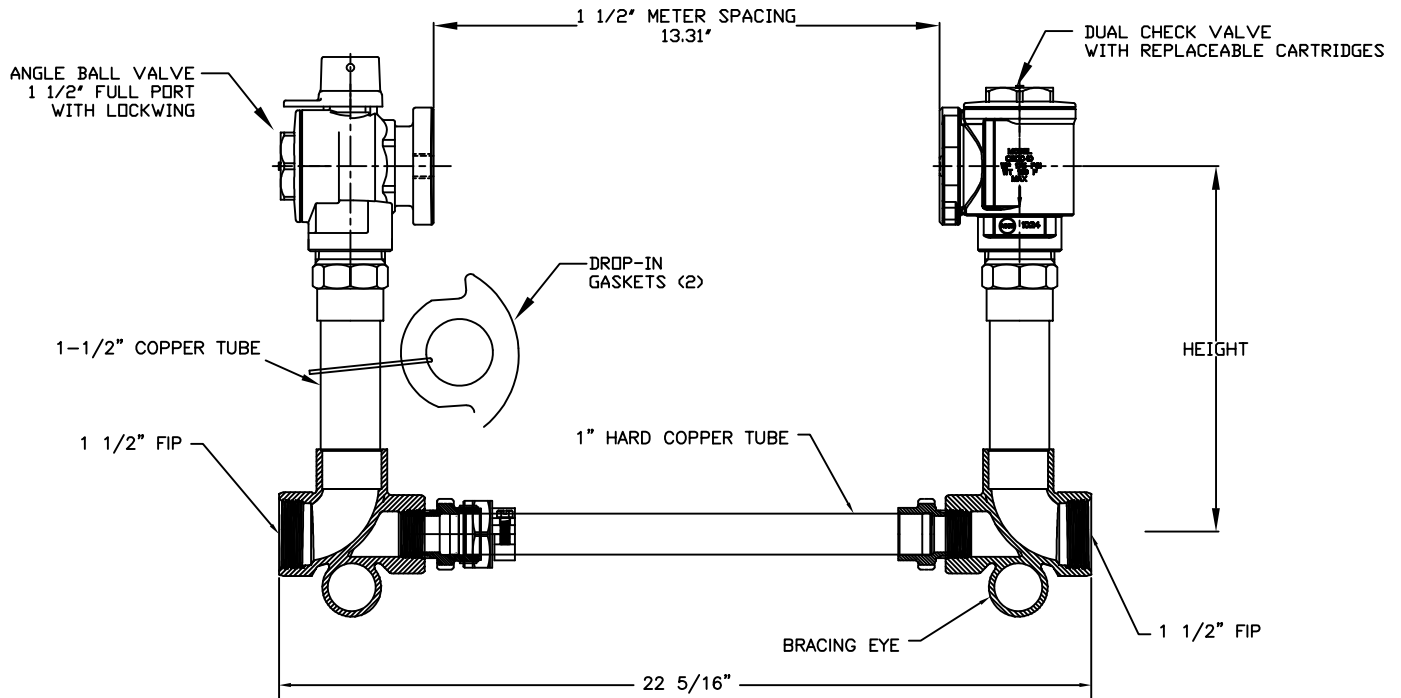
SUBMITTAL INFORMATION

HORIZONTAL SETTER 6020NL-6_F6F6-UQ



NO LEAD ANGLE BALL VALVE BY ANGLE CHECK VALVE AT 1-1/2" METER

1 1/2" FIP INLET AND OUTLET



HEIGHT	CATALOG NUMBER	APPROX. WT. LBS.
12"	6020NL-612F6F6-UQ	
15"	6020NL-615F6F6-UQ	
18"	6020NL-618F6F6-UQ	
21"	6020NL-621F6F6-UQ	
24"	6020NL-624F6F6-UQ	
27"	6020NL-627F6F6-UQ	

FEATURES:

- ALL COMPONENTS CONFORM TO AWWA STANDARD C800 (ASTM B-584, UNS NO C89833 FOR BRASS PARTS IN CONTACT WITH POTABLE WATER, AND ASTM B-62 AND ASTM B-584, UNS NO C83600 FOR ALL OTHER BRASS PARTS)
- ASSEMBLED WITH LEAD FREE SOLDER.
- CONSTRUCTED WITH TYPE K COPPER TUBING, ALLOY C12000 MANUFACTURED TO ASTM B88.
- CONFORMS TO ANSI/NSF 61-8
- CONFORMS TO ANSI/NSF 372 (COMPLIANT WITH US Safe Drinking Water Act. PL 111-380)
- 180 DEG. FAHRENHEIT MAXIMUM CONSTANT TEMPERATURE.
- 175 PSI MAXIMUM WORKING PRESSURE.
- CHECK VALVE IS ASSE 1024 APPROVED
- BRACING EYES ARE STANDARD
- EPDM METER GASKETS PROVIDED (NSF APPROVED)

Cambridge Brass considers the information in this submittal form to be correct at the time of publication. Item and option availability, including specifications, are subject to change without notice.

Cambridge Brass
 P.O. Box 249, 140 Orion Place
 Cambridge, Ontario
 Canada N1R 5V1
 Tel: (519) 621-5520
 Fax: (519) 621-8674
<http://www.cambridgebrass.com>



SUBMITTED BY: