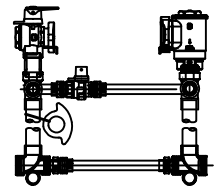


SUBMITTAL INFORMATION

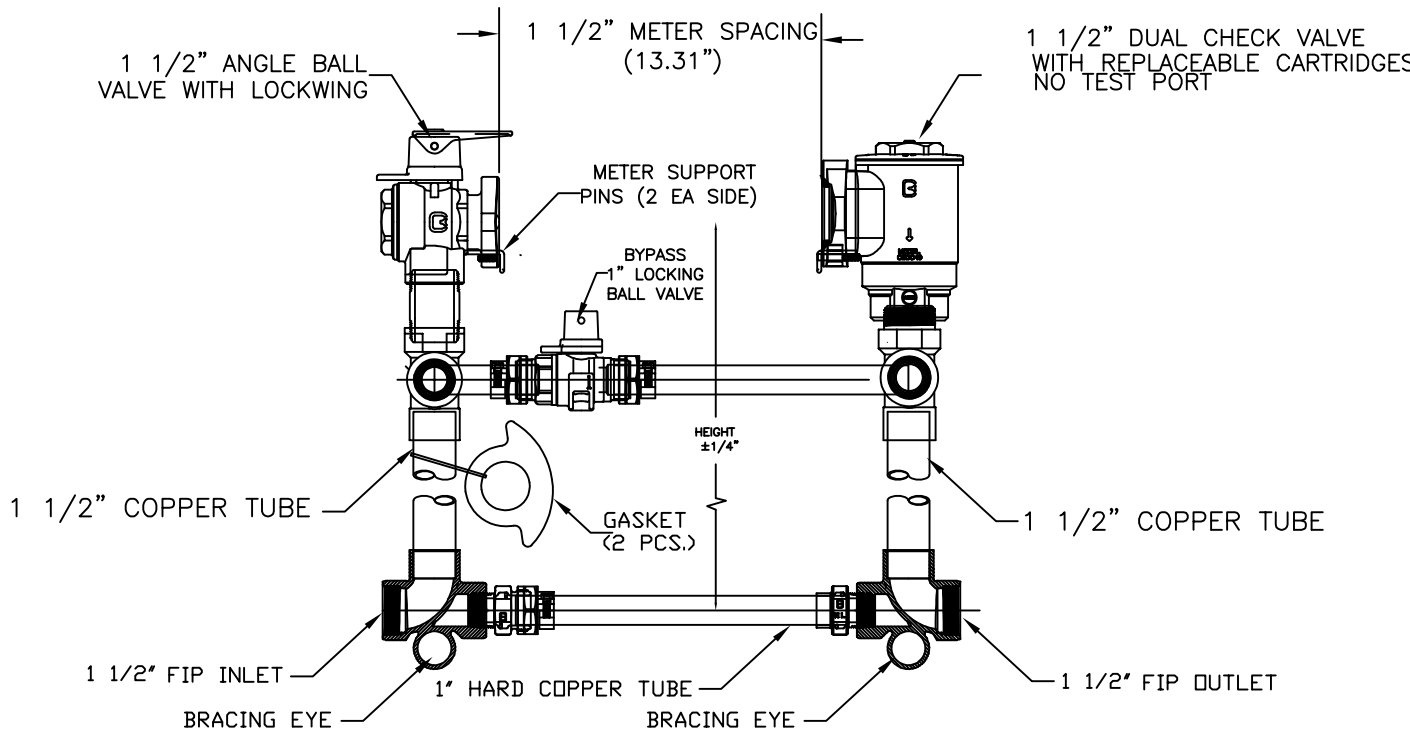
METER SETTER 6020NL-6_F6F6-UQHBH



ANGLE BALL VALVE BY ANGLE CHECK VALVE AT 1 1/2" METER

FEMALE IRON PIPE THREAD INLET AND OUTLET

WITH 1 " HIGH BYPASS



FEATURES:

- MANUFACTURED IN COMPLIANCE WITH AWWA STANDARD C800 (ASTM B-584, UNS NO C89833).
- CONFORMS TO ANSI/NSF 61-8
- CONFORMS TO ANSI/NSF 372 (COMPLIANT WITH US Safe Drinking Water Act. PL 111-380)
- BRACING EYES ARE STANDARD
- ASSEMBLED WITH LEAD-FREE SOLDER
- CONSTRUCTED WITH TYPE K COPPER TUBING, ALLOY C12000 MANUFACTURED TO ASTM B88.
- EPDM METER GASKETS PROVIDED (NSF APPROVED).
- ANGLE VALVES HAVE PADLOCK WINGS FOR LOCKING VALVES IN CLOSED POSITION.
- FACTORY TESTED AT 90 PSI AIR PRESSURE UNDER WATER.
- 300 PSI WORKING PRESSURE.

HEIGHT	CATALOG NUMBER	APPROX. WT. LBS.
12"	6020NL-612F6F6-UQHBH	
15"	6020NL-615F6F6-UQHBH	
18"	6020NL-618F6F6-UQHBH	
21"	6020NL-621F6F6-UQHBH	
24"	6020NL-624F6F6-UQHBH	
27"	6020NL-627F6F6-UQHBH	

Cambridge Brass considers the information in this submittal form to be correct at the time of publication. Item and option availability, including specifications, are subject to change without notice.

Cambridge Brass
 P.O. Box 249, 140 Orion Place
 Cambridge, Ontario
 Canada N1R 5V1
 Tel: (519) 621-5520
 Fax: (519) 621-8674
<http://www.cambridgebrass.com>



SUBMITTED BY: