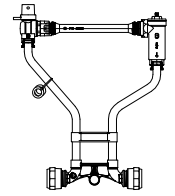


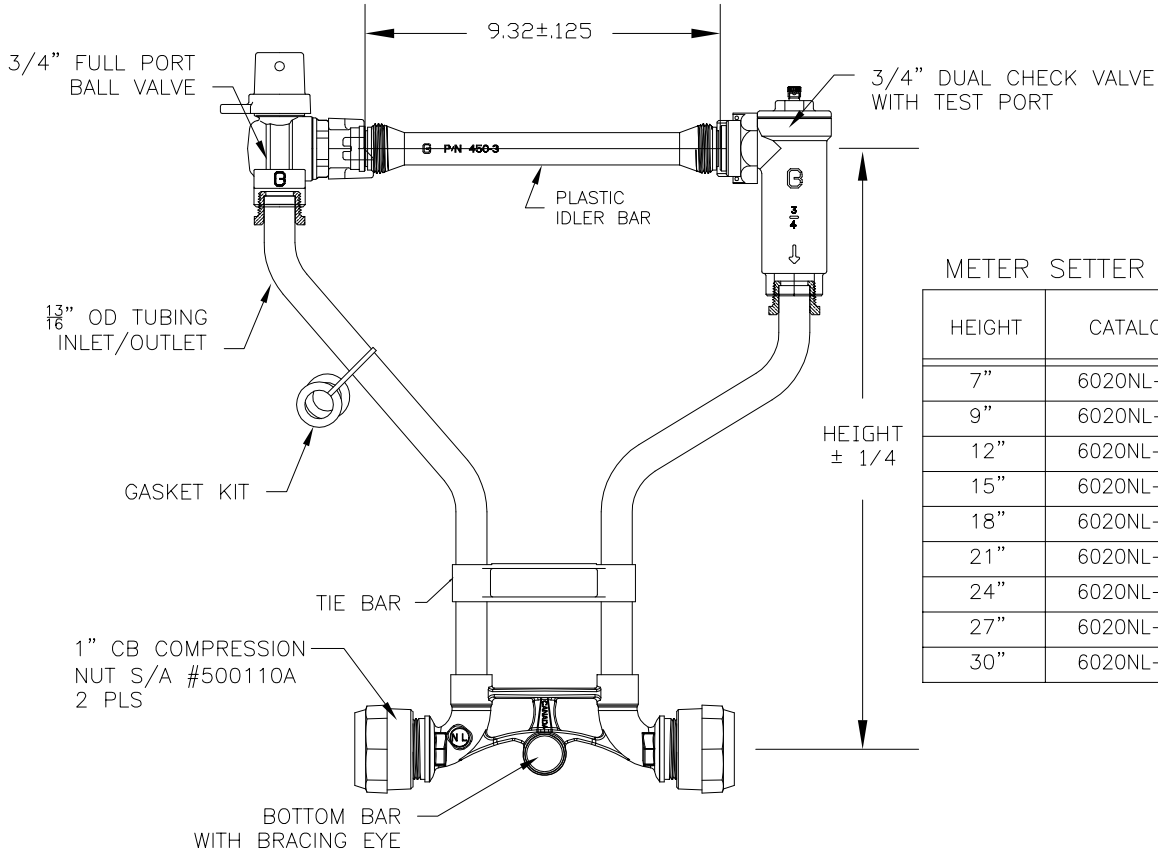
SUBMITTAL INFORMATION

METER SETTER 6020NL-3__H4H4-UQP



NO LEAD 3/4" REDUCED PORT BALL VALVE BY DUAL CARTRIDGE CHECK VALVE

1" CB COMPRESSION x 1" CB COMPRESSION FOR COPPER OR PLASTIC TUBING (CTS)



METER SETTER CATALOG NUMBERS

HEIGHT	CATALOG NUMBER	APPROX. WT. LBS.
7"	6020NL-307H4H4-UQP	
9"	6020NL-309H4H4-UQP	
12"	6020NL-312H4H4-UQP	
15"	6020NL-315H4H4-UQP	
18"	6020NL-318H4H4-UQP	
21"	6020NL-321H4H4-UQP	
24"	6020NL-324H4H4-UQP	
27"	6020NL-327H4H4-UQP	
30"	6020NL-330H4H4-UQP	

FEATURES:

- CONFORMS TO ANSI/NSF 372 (COMPLIANT WITH US Safe Drinking Water Act. PL 111-380)
- CONFORMS TO ANSI/NSF 61-8
- ALL COMPONENTS CONFORM TO AWWA C800-05 (ASTM B-584, UNS NO C89833 FOR BRASS PARTS IN CONTACT WITH POTABLE WATER, AND ASTM B-62 AND B-584, UNS NO C83600 FOR ALL OTHER BRASS PARTS).
- SADDLE NUTS HOLD THE METER IN PLACE FOR TIGHTENING.
- TIE BAR IS STANDARD FOR 18" AND TALLER RESETER HEIGHTS.
- 13/16" O.D. COPPER RISERS PROVIDE MORE FLOW CAPACITY.
- ASSEMBLED WITH LEAD-FREE SOLDER.
- BRACING EYE IS STANDARD.
- POSITIONS THE METER DIRECTLY ABOVE THE CENTERLINE OF THE SERVICE.
- FURNISHED WITH TWO RUBBER GASKETS FOR METER NUTS
- CONSTRUCTED WITH TYPE K COPPER TUBING, ALLOY C12000 MANUFACTURED TO ASTM B88.
- ANGLE VALVE HAS PADLOCK WINGS FOR LOCKING VALVE IN CLOSED POSITION.
- METER SETTER IS SHIPPED WITH PLASTIC METER IDLER
- 180 DEG. FAHRENHEIT MAXIMUM CONSTANT TEMPERATURE.
- 175 PSI MAXIMUM WORKING PRESSURE.
- CHECK VALVE IS ASSE 1024 APPROVED

Cambridge Brass considers the information in this submittal form to be correct at the time of publication. Item and option availability, including specifications, are subject to change without notice.

Cambridge Brass
 P.O. Box 249, 140 Orion Place
 Cambridge, Ontario
 Canada N1R 5V1
 Tel: (519) 621-5520
 Fax: (519) 621-8674
<http://www.cambridgebrass.com>



SUBMITTED BY: