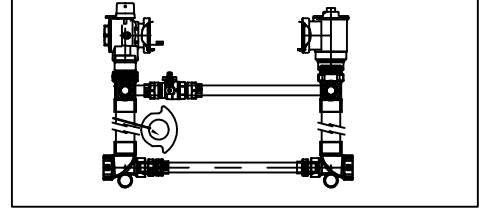


# SUBMITTAL INFORMATION

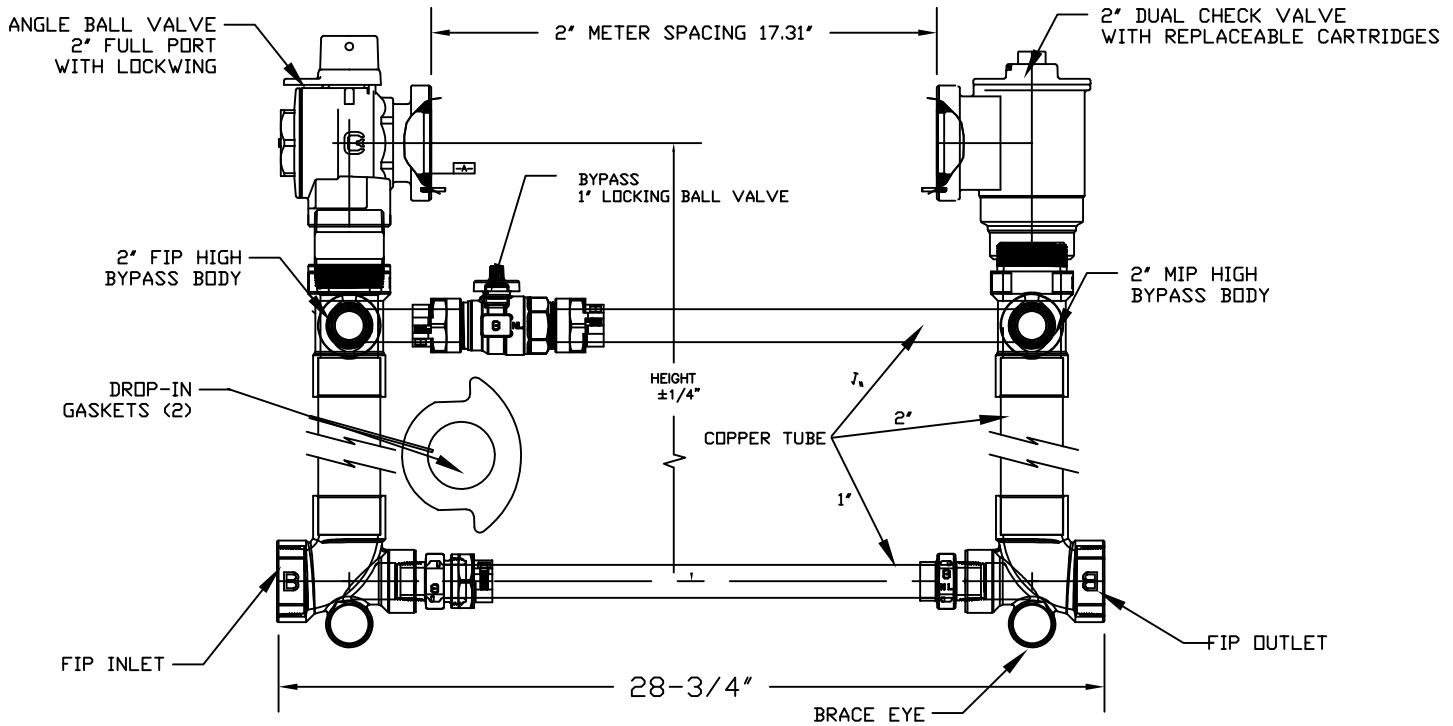
HORIZONTAL SETTER  
2" HIGH BYPASS 6020NL-7\_\_F7F7-UQHB



ANGLE BALL VALVE BY ANGLE CHECK VALVE AT 2" METER

FEMALE IRON PIPE THREAD INLET AND OUTLET

WITH 1" HIGH BYPASS



### FEATURES:

- ALL COMPONENTS CONFORM TO AWWA STANDARD C800-05 (ASTM B-584, UNS NO C89833 FOR BRASS PARTS IN CONTACT WITH POTABLE WATER, AND ASTM B-62 AND ASTM B-584, UNS NO C83600 FOR ALL OTHER BRASS PARTS)
- ASSEMBLED WITH LEAD FREE SOLDER.
- CONSTRUCTED WITH TYPE K COPPER TUBING, ALLOY C12000 MANUFACTURED TO ASTM B88.
- EPDM METEER GASKETS PROVIDED.
- ANGLE VALVES HAVE PADLOCK WINGS FOR LOCKING VALVES IN CLOSED POSITION.
- CONFORMS TO ANSI/NSF 372 (COMPLIANT WITH US Safe Drinking Water Act, PL 111-380)
- 180 DEG. FAHRENHEIT MAXIMUM CONSTANT TEMPERATURE.
- 175 PSI MAXIMUM WORKING PRESSURE.
- CHECK VALVE IS ASSE 1024 APPROVED

### ORDERING INFORMATION:

TALL CAP = ADD "P" TO END OF CATALOG NO.  
HANDLE = ADD "H" TO END OF CATALOG NO.

HEIGHT	CATALOG NUMBER	APPROX. WT. LBS.
12"	6020NL-712F7F7-UQHB	
15"	6020NL-715F7F7-UQHB	
18"	6020NL-718F7F7-UQHB	
21"	6020NL-721F7F7-UQHB	
24"	6020NL-724F7F7-UQHB	
27"	6020NL-727F7F7-UQHB	

Cambridge Brass considers the information in this submittal form to be correct at the time of publication. Item and option availability, including specifications, are subject to change without notice.

Cambridge Brass  
P.O. Box 249, 140 Orion Place  
Cambridge, Ontario  
Canada N1R 5V1  
Tel: (519) 621-5520  
Fax: (519) 621-8674  
<http://www.cambridgebrass.com>



REV. C - JULY 2020

SUBMITTED BY: