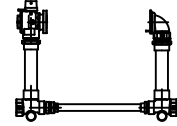


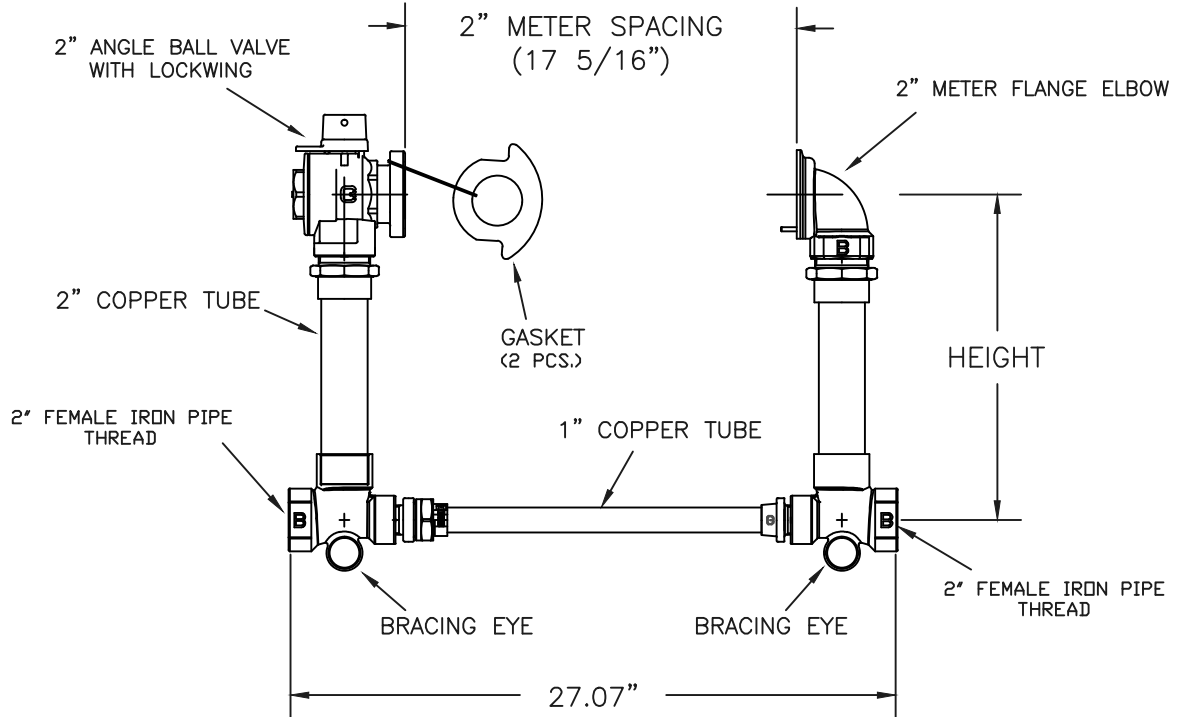
SUBMITTAL INFORMATION

METER SETTER 6020NL-7__F7F7-U0



ANGLE BALL VALVE INLET AND METER FLANGE OUTLET

SERVICE CONNECTION: FEMALE IRON PIPE THREAD INLET AND OUTLET



FEATURES:

- ALL COMPONENTS CONFORM TO AWWA STANDARD C800-05 (ASTM B-584, UNS NO C89833 FOR BRASS PARTS IN CONTACT WITH POTABLE WATER, AND ASTM B-62 AND ASTM B-584, UNS NO C83600 FOR ALL OTHER BRASS PARTS)
- ASSEMBLED WITH LEAD FREE SOLDER.
- CONSTRUCTED WITH TYPE K COPPER TUBING, ALLOY C12000 MANUFACTURED TO ASTM B88.
- CONFORMS TO ANSI/NSF 372 (COMPLIANT WITH US Safe Drinking Water Act. PL 111-380)
- 300 PSI WORKING PRESSURE
- NITRILE METER GASKETS PROVIDED.
- ANGLE VALVES HAVE PADLOCK WINGS FOR LOCKING VALVES IN CLOSED POSITION.

HEIGHT	CATALOG NUMBER	APPRDX. WT. LBS.
12'	6020NL-712F7F7-U0	
15'	6020NL-715F7F7-U0	
18'	6020NL-718F7F7-U0	
21'	6020NL-721F7F7-U0	
24'	6020NL-724F7F7-U0	
27'	6020NL-727F7F7-U0	

Cambridge Brass considers the information in this submittal form to be correct at the time of publication. Item and option availability, including specifications, are subject to change without notice.

Cambridge Brass
 P.O. Box 249, 140 Orion Place
 Cambridge, Ontario
 Canada N1R 5V1
 Tel: (519) 621-5520
 Fax: (519) 621-8674
<http://www.cambridgebrass.com>



SUBMITTED BY: