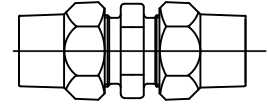


Cambridge Brass  
P.O. Box 249  
140 Orion Place  
Cambridge, Ontario  
Canada N1R 5V1  
Tel: (519) 621-5520  
Fax: (519) 621-8674  
http://www.cambridgebrass.com

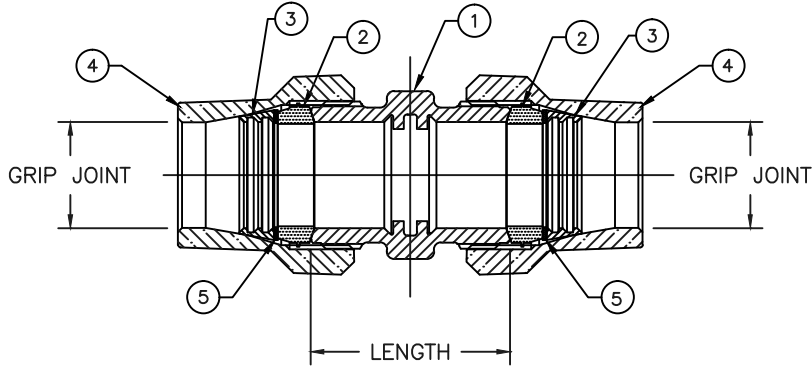


MODEL NO. 118NL

GRIP JOINT x GRIP JOINT

COUPLING  
WITH INTERNAL STOPS

FOR COPPER OR PLASTIC (CTS) TUBING



PARTS AND MATERIAL:

1. COUPLING BODY: CAST BRASS, ALLOY C89833
2. GASKET: NITRILE RUBBER
3. GRIPPER: BRASS, ALLOY C26000
4. GRIP JOINT NUT: CAST BRASS, ALLOY C83600
5. WASHER: POLYETHYLENE

FEATURES:

- CONFORMS TO AWWA C800 (ASTM B584 UNS C89833 FOR ALL BRASS PARTS IN CONTACT WITH POTABLE WATER)
- CONFORMS TO ANSI/NSF 61-8
- CONFORMS TO ANSI/NSF 372 (COMPLIANT WITH US Safe Drinking Water Act. PL 111-380)
- BODY AND NUTS PROVIDE WRENCH FLATS FOR INSTALLATION
- BODY PROVIDES INTERNAL TUBE STOPS.
- 300PSI WORKING PRESSURE

Cambridge Brass considers the information in this submittal form to be correct at the time of publication. Item and option availability, including specifications, are subject to change without notice.

CATALOG NO.	GRIP JOINT	GRIP JOINT	LENGTH	APPROX. WT. LBS.
118NL-GJ3GJ3	3/4"	3/4"	1.93"	0.9
118NL-GJ4GJ3	1"	3/4"	2.10"	1.5
118NL-GJ4GJ4	1"	1"	2.12"	1.9

Submitted by: