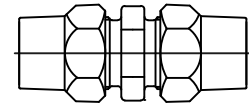


Cambridge Brass  
 P.O. Box 249  
 140 Orion Place  
 Cambridge, Ontario  
 Canada N1R 5V1  
 Tel: (519) 621-5520  
 Fax: (519) 621-8674  
 http://www.cambridgebrass.com

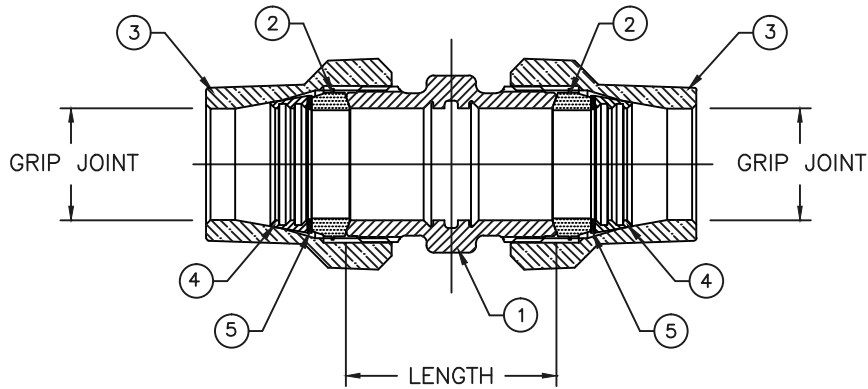


MODEL NO. 119NL

GRIP JOINT x GRIP JOINT

COUPLING – FULL BORE

FOR COPPER OR PLASTIC (CTS) TUBING



PARTS AND MATERIAL:

1. COUPLING BODY: CAST BRASS, ALLOY C89833
2. GASKET: NITRILE RUBBER
3. COMPRESSION NUT: CAST BRASS, ALLOY C83600
4. GRIPPER: BRASS, ALLOY C26000
5. WASHER: POLYETHYLENE

FEATURES:

- CONFORMS TO AWWA C800 (ASTM B584 UNS C89833 FOR ALL BRASS PARTS IN CONTACT WITH POTABLE WATER)
- CONFORMS TO ANSI/NSF 61-8
- CONFORMS TO ANSI/NSF 372 (COMPLIANT WITH US Safe Drinking Water Act. PL111-380)
- BODY PROVIDES WRENCH FLATS FOR INSTALLATION
- 300 PSI WORKING PRESSURE

Cambridge Brass considers the information in this submittal form to be correct at the time of publication. Item and option availability, including specifications, are subject to change without notice.

| CATALOG NO.  | GRIP JOINT | GRIP JOINT | LENGTH | APPROX. WT. LBS. |
|--------------|------------|------------|--------|------------------|
| 119NL-GJ3GJ3 | 3/4"       | 3/4"       | 1.93"  | 0.9              |
| 119NL-GJ4GJ4 | 1"         | 1"         | 2.12"  | 1.9              |

Submitted by: