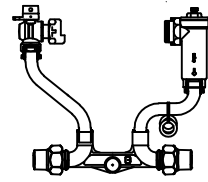
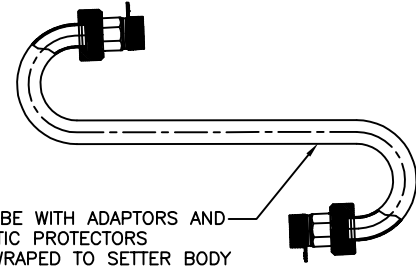
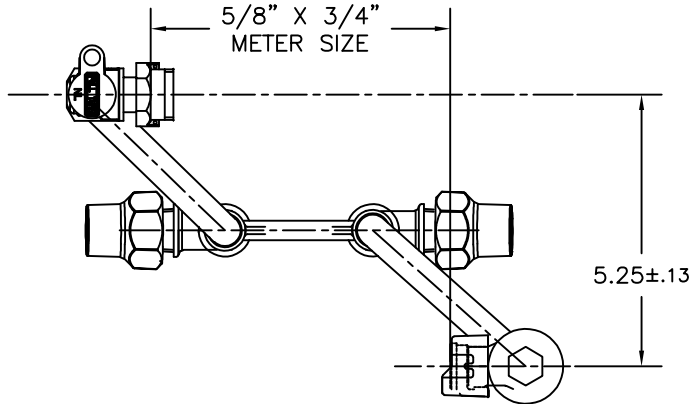


SUBMITTAL INFORMATION

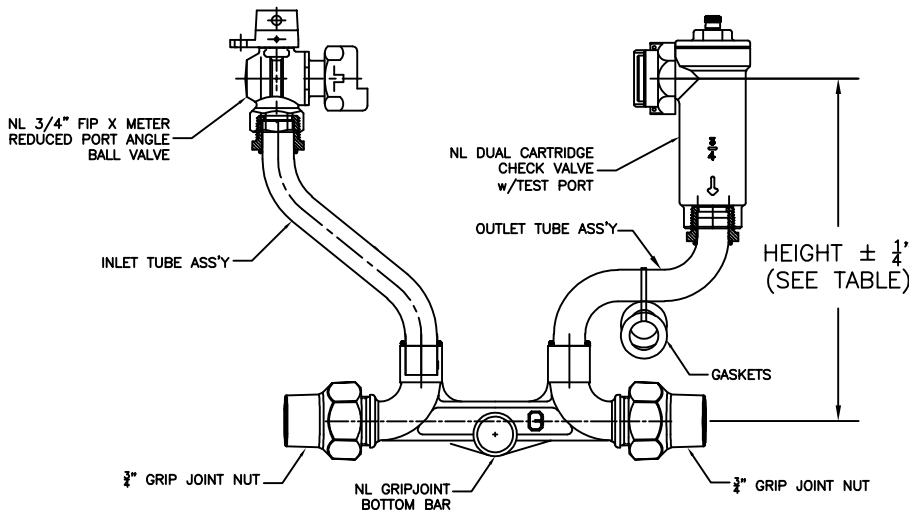
METER SETTER 6020TNL-2__GJ3GJ3-VQ



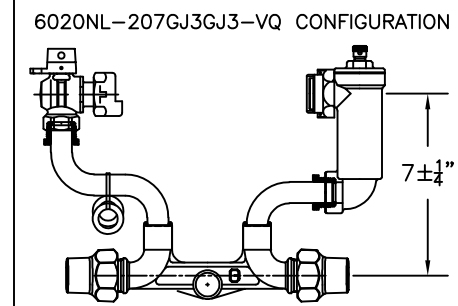
TANDEM SETTER, 3/4" REDUCED PORT METER BALL VALVE BY DUAL CARTRIDGE CHECK VALVE
GJ3 X GJ3 FOR COPPER OR PLASTIC TUBING (CTS)



S-TUBE WITH ADAPTORS AND PLASTIC PROTECTORS TIE WRAPPED TO SETTER BODY



HEIGHT	CATALOG NUMBER
9"	6020NL-209GJ3GJ3-VQ
12"	6020NL-212GJ3GJ3-VQ
15"	6020NL-215GJ3GJ3-VQ
18"	6020NL-218GJ3GJ3-VQ
21"	6020NL-221GJ3GJ3-VQ
24"	6020NL-207GJ3GJ3-VQ



FEATURES:

- ALL COMPONENTS CONFORM TO AWWA C800 (ASTM B-584, UNS C89833 NO LEAD BRASS PARTS IN CONTACT WITH POTABLE WATER,
- SADDLE NUTS HOLD THE METER IN PLACE FOR TIGHTENING.
- TIE BAR IS STANDARD FOR 18" AND TALLER RESETTER HEIGHTS.
- 13/16" O.D. COPPER RISERS PROVIDE MORE FLOW CAPACITY.
- ASSEMBLED WITH LEAD-FREE SOLDER.
- BRACING EYE IS STANDARD.
- POSITIONS THE METER DIRECTLY ABOVE THE CENTERLINE OF THE SERVICE.
- FURNISHED WITH TWO RUBBER GASKETS FOR METER NUTS
- CONSTRUCTED WITH TYPE K COPPER TUBING, ALLOY C12000 MANUFACTURED TO ASTM B88.
- ANGLE VALVE HAS PADLOCK WINGS FOR LOCKING VALVE IN CLOSED POSITION.
- METER SETTER IS SHIPPED WITH PLASTIC METER IDLER
- CONFORMS TO ANSI/NSF 372 (COMPLIANT WITH US Safe Drinking Water Act. PL 111-380)
- 180 DEG. FAHRENHEIT MAXIMUM CONSTANT TEMPERATURE.
- 175 PSI MAXIMUM WORKING PRESSURE.
- CHECK VALVE IS ASSE 1024 APPROVED

Cambridge Brass considers the information in this submittal form to be correct at the time of publication. Item and option availability, including specifications, are subject to change without notice.

Cambridge Brass
P.O. Box 249, 140 Orion Place
Cambridge, Ontario
Canada N1R 5V1
Tel: (519) 621-5520
Fax: (519) 621-8674
<http://www.cambridgebrass.com>



SUBMITTED BY: