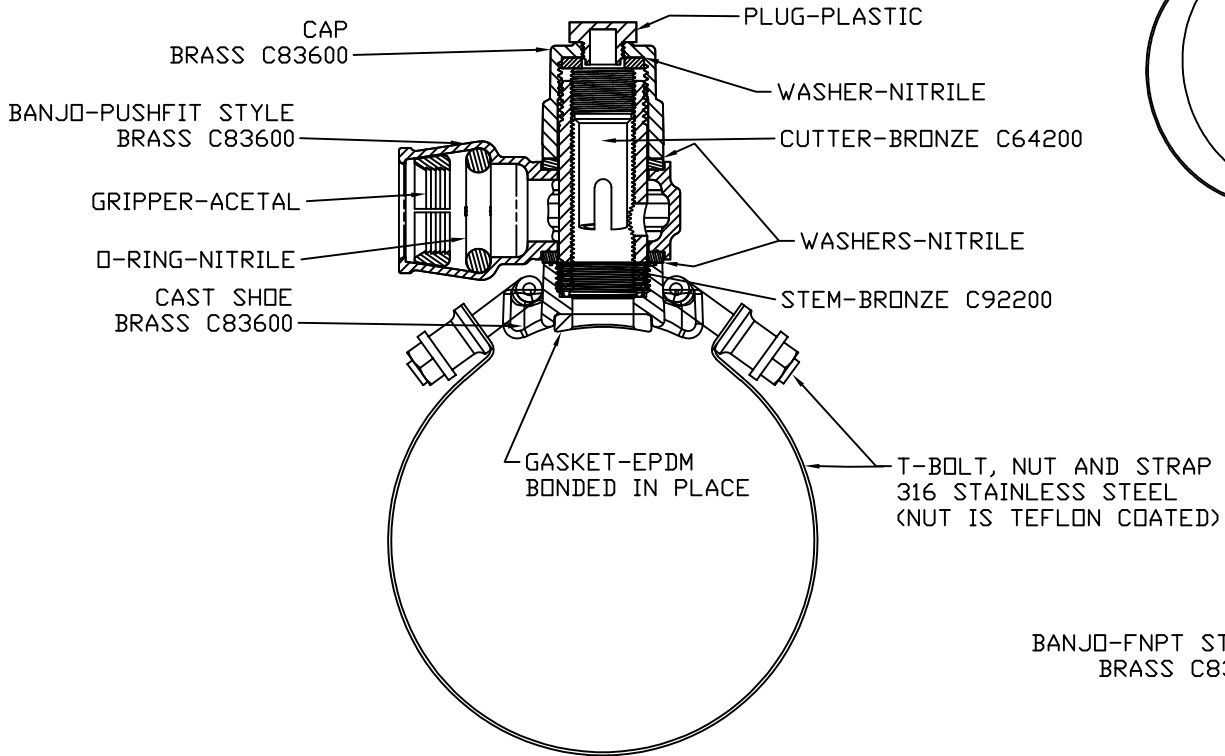


SUBMITTAL INFORMATION

FERRULE STRAP SADDLE – SERIES 831



FEATURES:
 MANUFACTURED IN COMPLIANCE WITH AWWA STANDARD C800.
 COMPLIES WITH ASTM B-62 & ASTM B-584, UNS NO C83600-85-5-5-5
 PRESSURE CAPABILITIES ARE EQUAL TO, BUT DO NOT EXCEED THE WORKING
 PRESSURE RATING OF THE PIPE, UP TO 200 PSI

IPS SIZE CHART

MAIN SIZE NOMINAL O.D.	SERVICE LINE SIZE CONNECTION STYLE	SERVICE LINE O.D. RANGE	PRODUCT NUMBER
4" IPS 4.50"	1/2" PUSHFIT	.835"-.846" (21.2mm-21.5mm)	831-0450-PF1
	25mm PUSHFIT	.984"-.996" (25.0mm-25.3mm)	831-0450-PF25
	3/4" PUSHFIT	1.046"-1.059" (26.6mm-26.9mm)	831-0450-PF3
	1" PUSHFIT	1.310"-1.327" (33.3mm-33.7mm)	831-0450-PF4
	1/2" FNPT		831-0450-F1
	3/4" FNPT		831-0450-F3
	1" FNPT		831-0450-F4
6" IPS 6.63"	25mm PUSHFIT	.984"-.996" (25.0mm-25.3mm)	831-0663-PF25
	3/4" PUSHFIT	1.046"-1.059" (26.6mm-26.9mm)	831-0663-PF3
	1" PUSHFIT	1.310"-1.327" (33.3mm-33.7mm)	831-0663-PF4
	3/4" FNPT		831-0663-F3
	1" FNPT		831-0663-F4

OTHER SIZES AVAILABLE UPON REQUEST

Cambridge Brass considers the information in this submittal form to be correct at the time of publication. Item and option availability, including specifications, are subject to change without notice.

Cambridge Brass
 P.O. Box 249, 140 Orion Place
 Cambridge, Ontario
 Canada N1R 5V1
 Tel: (519) 621-5520
 Fax: (519) 621-8674
<http://www.cambridgebrass.com>



SUBMITTED BY: