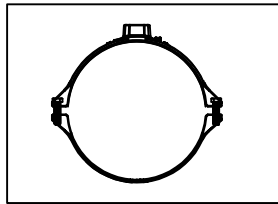
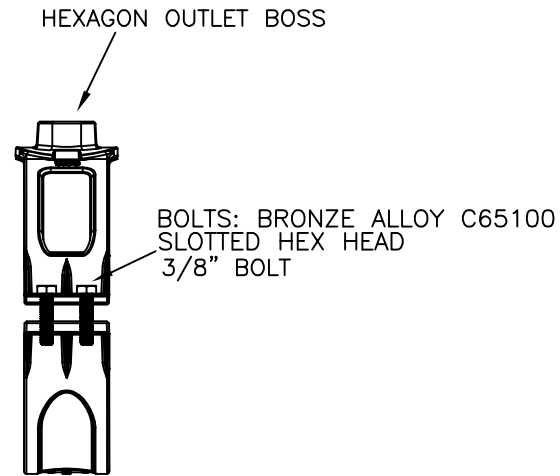
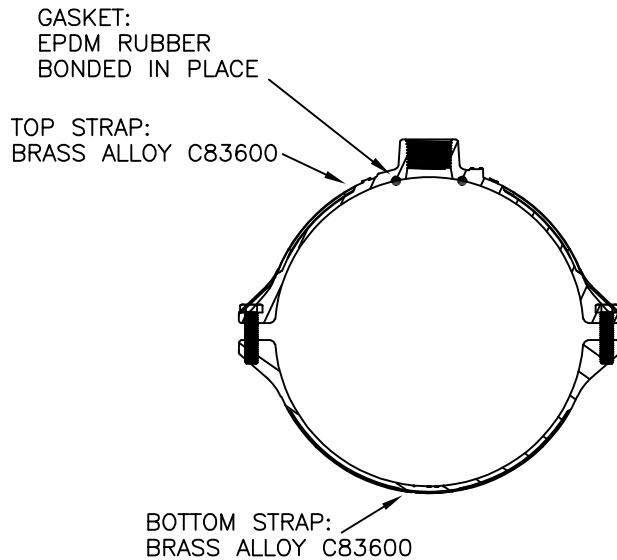


SUBMITTAL INFORMATION

SERIES 805 BRASS HINGED SADDLE FOR IPS PVC PIPE



BRASS HINGED SADDLES FOR IPS PVC PIPE
WITH AWWA (CC) AND FIP OUTLET



FEATURES:
MANUFACTURED IN COMPLIANCE WITH AWWA STANDARD C800.
COMPLIES WITH ASTM B-62 & ASTM B-584, UNS NO C83600-85-5-5-5
PRESSURE CAPABILITIES ARE EQUAL TO, BUT DO NOT EXCEED THE WORKING
PRESSURE RATING OF THE PIPE, UP TO 200 PSI

10"	10.75"	3/4"	805-1075-A3	9.6	
		1"	805-1075-A4	9.5	
		1 1/2"	805-1075-A6	15.4	
		2"	805-1075-A7	14.8	
12"	12.75"	3/4"	805-1275-A3	10.7	
		1"	805-1275-A4	10.6	
		1 1/2"	805-1275-A6	16.2	
		2"	805-1275-A7	15.6	

10"	10.75"	3/4"	805-1075-F3	9.6	
		1"	805-1075-F4	9.5	
		1 1/2"	805-1075-F6	15.5	
		2"	805-1075-F7	15.1	
12"	12.75"	3/4"	805-1275-F3	10.7	
		1"	805-1275-F4	10.6	
		1 1/2"	805-1275-F6	16.3	
		2"	805-1275-F7	15.9	

Cambridge Brass considers the information in this submittal form to be correct at the time of publication. Item and option availability, including specifications, are subject to change without notice.

Cambridge Brass
P.O. Box 249, 140 Orion Place
Cambridge, Ontario
Canada N1R 5V1
Tel: (519) 621-5520
Fax: (519) 621-8674
<http://www.cambridgebrass.com>



SUBMITTED BY: