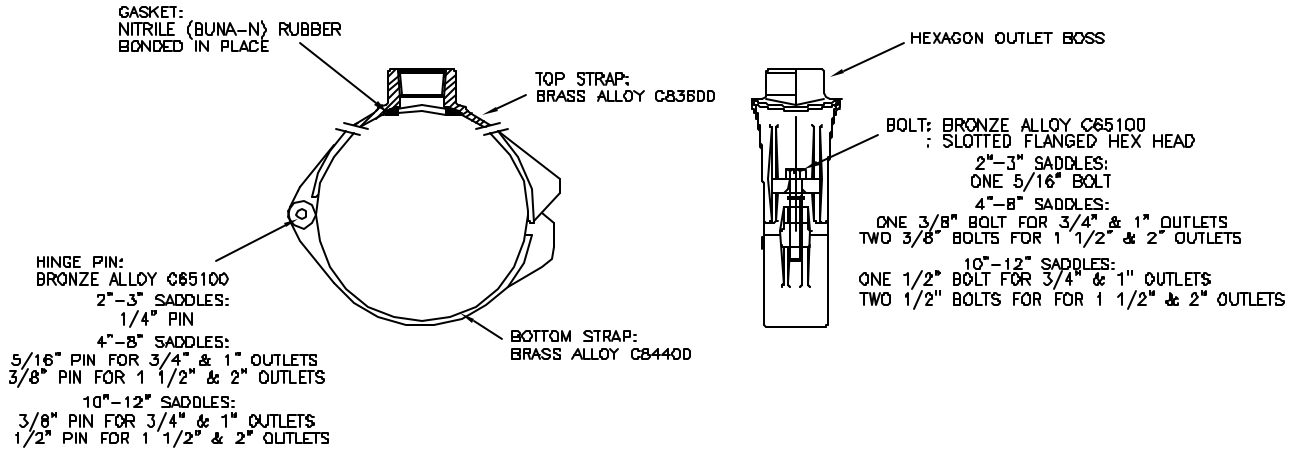
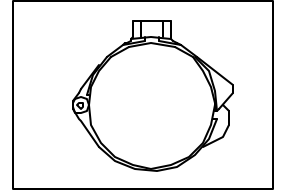


SUBMITTAL INFORMATION

SERIES 800 BRASS HINGED SADDLE FOR IPS PVC PIPE

BRASS HINGED SADDLES FOR IPS PVC PIPE WITH AWWA (CC) AND FIP OUTLET



PVC PIPE SIZE	ACTUAL O.D.	AWWA OUTLET	CATALOG NUMBER	APPROX. WT. LBS.	SUBMITTED ITEM(S)
2"	2.375"	3/4"	800-0238-A3	1.7	
		1"	800-0238-A4	1.6	
2 1/2"	2.875"	3/4"	800-0288-A3	1.8	
		1"	800-0288-A4	1.8	
3"	3.50"	3/4"	800-0350-A3	2.0	
		1"	800-0350-A4	1.9	
4"	4.50"	3/4"	800-0450-A3	3.4	
		1"	800-0450-A4	3.2	
		1 1/2"	800-0450-A6		
		2"	800-0450-A7		
6"	5.625"	1 1/2"	800-0663-A1		
		3/4"	800-0663-A3	4.1	
		1"	800-0663-A4	4.2	
		1 1/2"	800-0663-A6		
8"	8.625"	2"	800-0663-A7		
		3/4"	800-0863-A3	5.0	
		1"	800-0863-A4	5.0	
		1 1/2"	800-0863-A6		
10"	10.75"	2"	800-0863-A7		
		3/4"	800-1075-A3		
		1"	800-1075-A4		
		1 1/2"	800-1075-A6		
12"	12.75"	2"	800-1075-A7		
		3/4"	800-1275-A3		
		1"	800-1275-A4		
		1 1/2"	800-1275-A6		
		2"	800-1275-A7		

PVC PIPE SIZE	ACTUAL O.D.	FIP OUTLET	CATALOG NUMBER	APPROX. WT. LBS.	SUBMITTED ITEM(S)
2"	2.375"	3/4"	800-0238-F3	1.7	
		1"	800-0238-F4	1.6	
2 1/2"	2.875"	3/4"	800-0288-F3	1.9	
		1"	800-0288-F4	1.8	
3"	3.50"	3/4"	800-0350-F3	2.1	
		1"	800-0350-F4	2.0	
4"	4.50"	3/4"	800-0450-F3	3.7	
		1"	800-0450-F4	3.4	
		1 1/2"	800-0450-F6		
		2"	800-0450-F7		
6"	5.625"	1 1/2"	800-0663-F1		
		3/4"	800-0663-F3	4.2	
		1"	800-0663-F4	4.2	
		1 1/2"	800-0663-F6		
8"	8.625"	2"	800-0663-F7		
		3/4"	800-0863-F3	5.0	
		1"	800-0863-F4	4.9	
		1 1/2"	800-0863-F6		
10"	10.75"	2"	800-0863-F7		
		3/4"	800-1075-F3		
		1"	800-1075-F4		
		1 1/2"	800-1075-F6		
12"	12.75"	2"	800-1075-F7		
		3/4"	800-1275-F3		
		1"	800-1275-F4		
		1 1/2"	800-1275-F6		
		2"	800-1275-F7		

Cambridge Brass considers the information in this submittal form to be correct at the time of publication. Item and option availability, including specifications, are subject to change without notice.

Cambridge Brass
P.O. Box 249, 140 Orion Place
Cambridge, Ontario
Canada N1R 5V1
Tel: (519) 621-5520
Fax: (519) 621-8674
<http://www.cambridgebrass.com>



SUBMITTED BY: