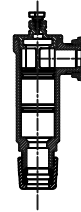


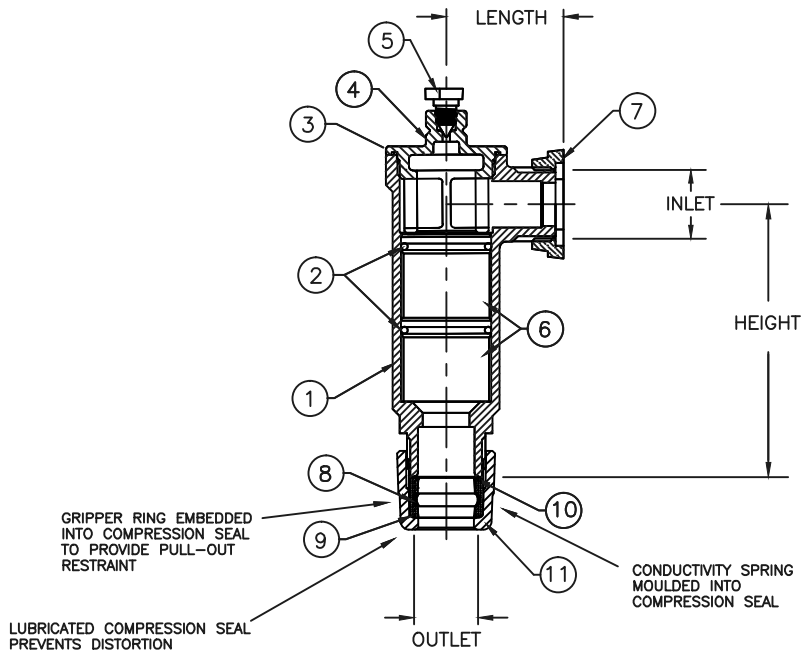
Cambridge Brass
P.O. Box 249
140 Orion Place
Cambridge, Ontario
Canada N1R 5V1
Tel: (519) 621-5520
Fax: (519) 621-8674
http://www.cambridgebrass.com



MODEL NO. 500NL

METER YOKE x
CB COMPRESSION

ANGLE DUAL
CARTRIDGE CHECK VALVE



PARTS AND MATERIAL:

1. BODY: NO LEAD CAST BRASS, ALLOY C89833
2. O-RING: NITRILE RUBBER
3. O-RING: NITRILE RUBBER
4. CAP: NO LEAD CAST BRASS, ALLOY C89833
5. DRAIN PLUG, NO LEAD BRASS, ALLOY B9833
6. CHECK CARTRIDGE: ACETAL PLASTIC, S.S. 304, NITRILE RUBBER
7. STAR NUT: CAST BRASS, ALLOY C83600
8. GRIPPER: STAINLESS STEEL, ALLOY 302
9. COMPRESSION SEAL: NITRILE RUBBER
10. CONDUCTOR SPRING: BRASS
11. COMPRESSION NUT: CAST BRASS, ALLOY C83600

FEATURES:

- ALL COMPONENTS CONFORM TO AWWA STANDARD C800-05 (ASTM B-584, UNS NO C89833 FOR BRASS PARTS IN CONTACT WITH POTABLE WATER, AND ASTM B-62 AND ASTM B-584, UNS NO C83600 FOR ALL OTHER BRASS PARTS.
- CONFORMS TO ANSI/NSF 61-8
- CONFORMS TO ANSI/NSF 372 (COMPLIANT WITH US Safe Drinking Water Act. PL 111-380)
- CARTRIDGES ARE IN-LINE ACCESSIBLE THROUGH CAP FOR EASY MAINTENANCE.
- 180 DEG. FAHRENHEIT MAXIMUM CONSTANT TEMPERATURE.
- 175 PSI MAXIMUM WORKING PRESSURE.
- ASSE 1024 APPROVED

Cambridge Brass considers the information in this submittal form to be correct at the time of publication. Item and option availability, including specifications, are subject to change without notice.

VALVE SIZE	CATALOG NO.	INLET METER SIZE	CB COMP.	LENGTH	HEIGHT	APPROX. WT. LBS.
3/4"	500NL-SR1H3W	5/8"	3/4"	1.75"	4.37"	
3/4"	500NL-SR3H3W	5/8"x3/4" & 3/4"	3/4"	1.75"	4.37"	
1"	500NL-SR4H4W	1"	1"	2.25"	4.56"	

Submitted by: