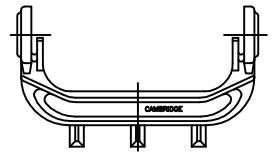


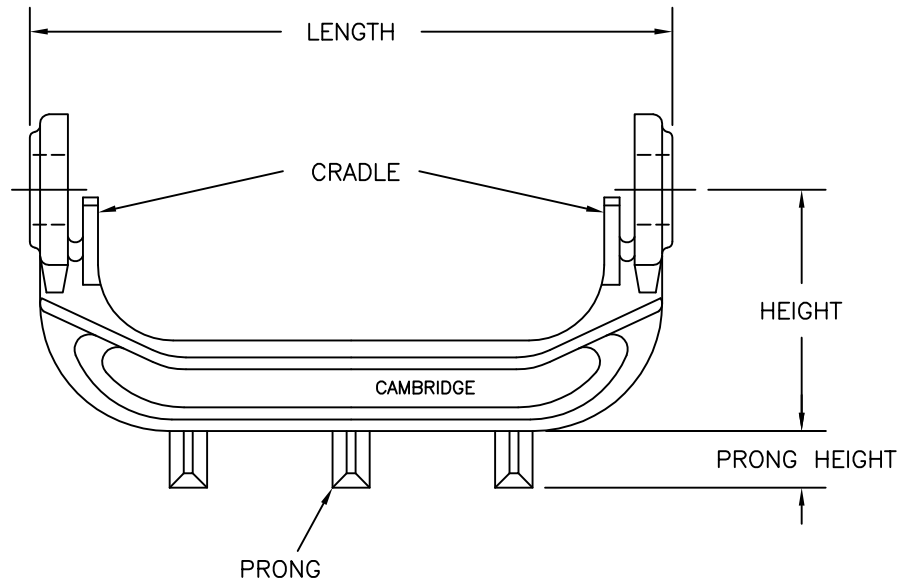
Cambridge Brass  
P.O. Box 249  
140 Orion Place  
Cambridge, Ontario  
Canada N1R 5V1  
Tel: (519) 621-5520  
Fax: (519) 621-8674  
http://www.cambridgebrass.com



MODEL NO. 461

IRON YOKE BAR

WITH PRONGS



**FEATURES:**

- MATERIAL: CAST GRAY IRON, ASTM A48-92, CLASS 25.
- FINISH: BLACK EPOXY 206N PER AWWA 213, NSF 61 APPROVED.
- CRADLE POSITIONS METER IN LINE WITH END CONNECTIONS TO ALLOW ONE HAND INSTALLATION.
- PRONG PROVIDES STABILIZING SUPPORT WHEN INSERTED INTO A 3/4" IRON PIPE STAKE DRIVEN INTO THE GROUND.

Cambridge Brass considers the information in this submittal form to be correct at the time of publication. Item and option availability, including specifications, are subject to change without notice.

METER SIZE	CATALOG NO.	LENGTH	HEIGHT	No. OF PRONGS	PRONG HEIGHT	APPROX. WT. LBS.
5/8"	461-1	10.66"	4.0"	3	.93"	3.8
5/8"x3/4"	461-2	10.90"	4.0"	3	.93"	3.9
3/4"	461-3	12.40"	4.0"	3	.93"	3.9
1"	461-4	14.80"	5.41"	1	1.15"	6.7

Submitted by: