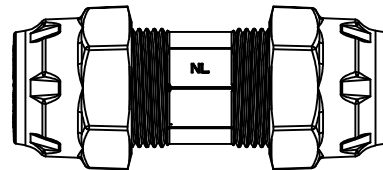


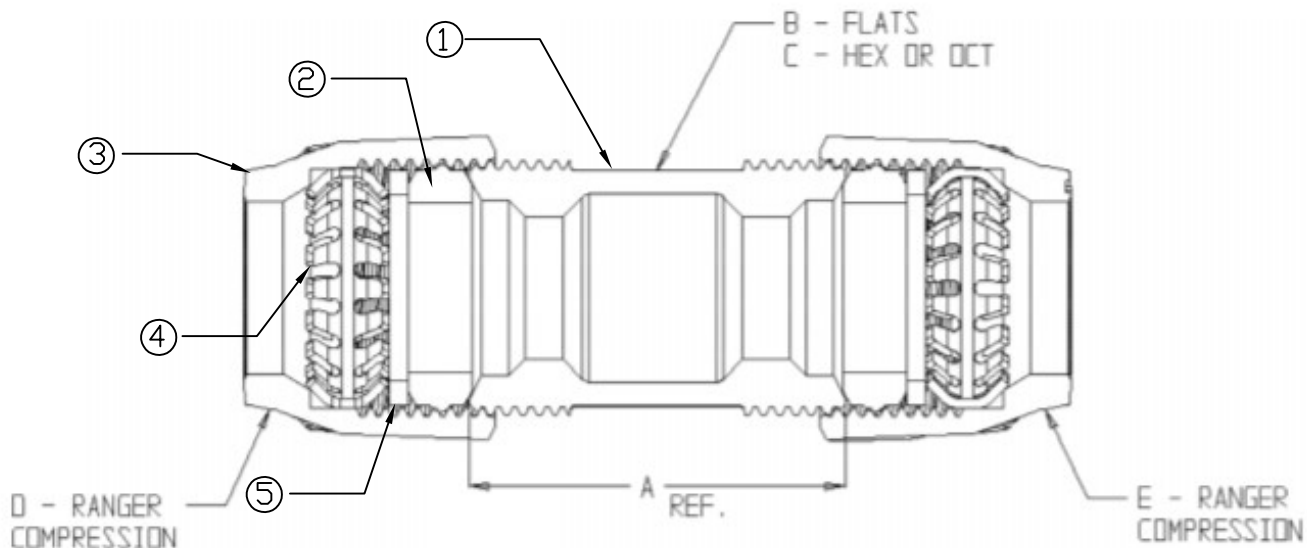
Cambridge Brass  
P.O. Box 249  
140 Orion Place  
Cambridge, Ontario  
Canada N1R 5V1  
Tel: (519) 621-5520  
Fax: (519) 621-8674  
http://www.cambridgebrass.com



MODEL NO. 119NL

RANGER X RANGER

NL COUPLING – FULL BORE



- PARTS AND MATERIAL:
1. COUPLING BODY: CAST BRASS, CDA ALLOY C89833
  2. GASKET: EPDM RUBBER
  3. RANGER NUT: CAST BRASS, CDA ALLOY C83600
  4. GRIPPER RING: 301 STAINLESS STEEL
  5. WASHER: BRASS CDA ALLOY 83600

FEATURES:

- CONFORMS TO AWWA C800 (ASTM B584 UNS C89833 FOR ALL BRASS PARTS IN CONTACT WITH POTABLE WATER)
- CONFORMS TO ANSI/NSF 61-8
- CONFORMS TO ANSI/NSF 372 (COMPLIANT WITH US Safe Drinking Water Act. PL111-380)
- BODY PROVIDES WRENCH FLATS FOR INSTALLATION
- 300 PSI WORKING PRESSURE

NOTE:

CAMBRIDGE BRASS RANGER NUTS ARE NOT COMPATIBLE WITH OTHER MANUFACTURERS  
COMPRESSION NUT SYSTEMS  
CAMBRIDGE BRASS RANGER NUTS ARE NOT COMPATIBLE WITH OTHER CAMBRIDGE BRASS  
COMPRESSION NUT SYSTEMS

Cambridge Brass considers the information in this submittal form to be correct at the time of publication.  
Item and option availability, including specifications, are subject to change without notice.

CATALOG NO.	SIZE	A	B	C	D	PIPE/TUBE SIZE RANGE (IN.)	E	PIPE/TUBE SIZE RANGE (IN.)
119NL-E3E3	3/4"	2.35"	1.38"	OCT	3/4"	.871-1.089	1 1/4"	.871-1.089
119NL-E3E4	3/4"x1"	2.67"	1.85"	OCT	3/4"	.871-1.089	1 1/4"	1.120-1.399
119NL-E4E4	1"	2.26"	1.65"	OCT	1"	1.120-1.399	1 1/4"	1.120-1.399
119NL-E5E5	1 1/4"	3.16"	1.70"	OCT	1 1/4"	1.370-1.804	1 1/4"	1.370-1.804
119NL-E6E6	1 1/2"	3.38"	2.00"	OCT	1 1/2"	1.619-2.109	1 1/2"	1.619-2.109
119NL-E7E7	2"	5.19"	2.50"	OCT	2"	2.119-2.709	2"	2.119-2.709

Submitted by: