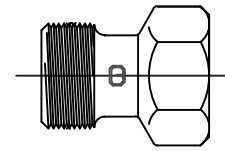


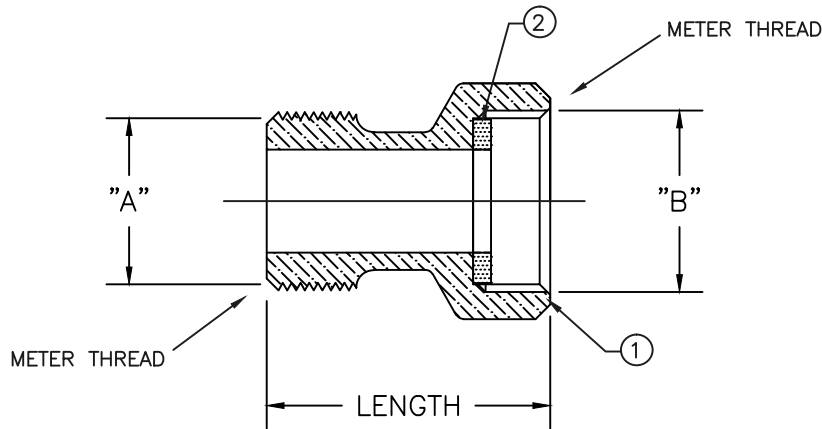
Cambridge Brass  
P.O. Box 249  
140 Orion Place  
Cambridge, Ontario  
Canada N1R 5V1  
Tel: (519) 621-5520  
Fax: (519) 621-8674  
http://www.cambridgebrass.com



MODEL NO. 440NL

NO LEAD METER x METER

METER ADAPTOR



**PARTS AND MATERIAL:**

1. ADAPTOR: CAST BRASS, COPPER ALLOY C89833
2. GASKET: EPDM RUBBER

**NOTE:**

440NL-N3R2 ADAPTOR EXTENDS METER LENGTH ONLY. REQUIRE 1 PER METER INSTALLATION.  
440NL-N4R2 AND 440NL-N4R3 REQUIRE 2 PER METER INSTALLATION.

**FEATURES:**

- MANUFACTURED IN COMPLIANCE WITH AWWA STANDARD C800-05 (ASTM B-584, UNS NO C89833).
- BODY PROVIDES WRENCH FLATS TO FACILITATE INSTALLATION.
- CONFORMS TO ANSI/NSF 61-8
- CONFORMS TO ANSI/NSF 372 (COMPLIANT WITH US Safe Drinking Water Act. PL 111-380)
- 300 PSI WORKING PRESSURE.

Cambridge Brass considers the information in this submittal form to be correct at the time of publication. Item and option availability, including specifications, are subject to change without notice.

METER SPUD CHANGE	CATALOG NO.	"A"	"B"	LENGTH	APPROX. WT. LBS.
5/8x3/4 TO 3/4	440NL-N3R2	1-11.5 NPSM	1-11.5 NPSM	1.94"	0.5
5/8x3/4 TO 1	440NL-N4R2	1 1/4-11.5 NPSM	1-11.5 NPSM	2.06"	0.5
3/4 TO 1	440NL-N4R3	1 1/4-11.5 NPSM	1-11.5 NPSM	1.31"	
1 TO 1 1/4	440NL-N4R5	1 1/4-11.5 NPSM	1 1/2-11.5 NPSM	1.66"	0.58

Submitted by: