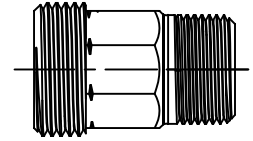


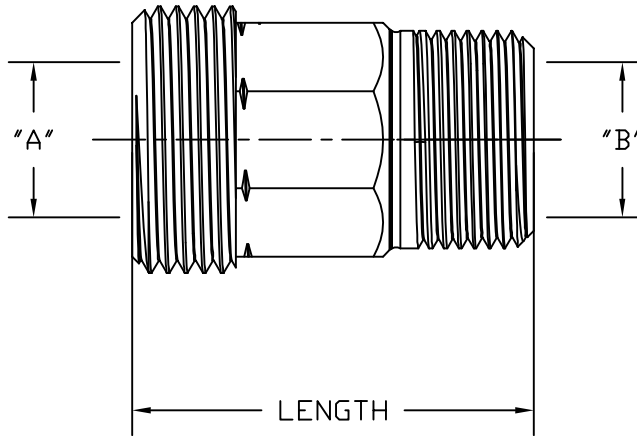
Cambridge Brass  
P.O. Box 249  
140 Orion Place  
Cambridge, Ontario  
Canada N1R 5V1  
Tel: (519) 621-5520  
Fax: (519) 621-8674  
<http://www.cambridgebrass.com>



MODEL NO. 440NL

METER X MIP

METER ADAPTER



MATERIAL: NO LEAD CAST BRASS ALLOY C89833

FEATURES:

- CONFORMS TO AWWA C800 (ASTM B584 UNS C89833 FOR ALL BRASS PARTS IN CONTACT WITH POTABLE WATER)
- CONFORMS TO ANSI/NSF 61-8
- CONFORMS TO ANSI/NSF 372 (COMPLIANT WITH US Safe Drinking Water Act. PL 111-380)
- BODY PROVIDES WRENCH FLATS FOR INSTALLATION
- 300PSI WORKING PRESSURE

Cambridge Brass considers the information in this submittal form to be correct at the time of publication. Item and option availability, including specifications, are subject to change without notice.

CATALOG NO.	"A"	"B"	LENGTH	APPROX. WT. LBS.
440NL-N3M3	3/4"NPSM	3/4"MNPT	1.94"	.34
440NL-N4M4	1"NPSM	1"MNPT	2.35"	.68

Submitted by: