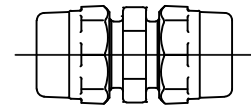


Cambridge Brass  
P.O. Box 249  
140 Orion Place  
Cambridge, Ontario  
Canada N1R 5V1  
Tel: (519) 621-5520  
Fax: (519) 621-8674  
http://www.cambridgebrass.com

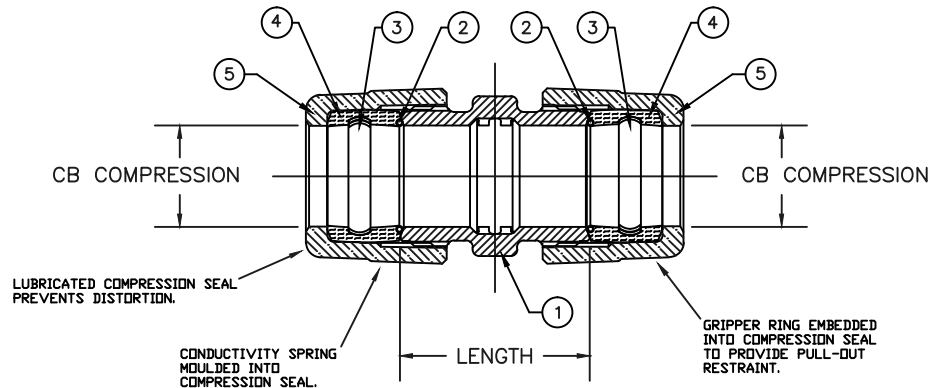


MODEL NO. 119NL

NO LEAD  
CB COMPRESSION x CB COMPRESSION

N/L COUPLING – FULL BORE

FOR COPPER OR PLASTIC TUBING (CTS)



PARTS AND MATERIAL:

1. COUPLING BODY: NO LEAD CAST BRASS, ALLOY C89833
2. CONDUCTOR SPRING: BRASS
3. GRIPPER: STAINLESS STEEL, TYPE 302
4. COMPRESSION SEAL: EPDM RUBBER
5. COMPRESSION NUT: CAST BRASS, ALLOY C83600

FEATURES:

- CONFORMS TO AWWA C800 (ASTM B584 UNS C89833 FOR ALL BRASS PARTS IN CONTACT WITH POTABLE WATER)
- CONFORMS TO ANSI/NSF 61-8
- CONFORMS TO ANSI/NSF 372 (COMPLIANT WITH US Safe Drinking Water Act. PL111-380)
- BODY PROVIDES WRENCH FLATS FOR INSTALLATION
- 300 PSI WORKING PRESSURE

Cambridge Brass considers the information in this submittal form to be correct at the time of publication. Item and option availability, including specifications, are subject to change without notice.

CATALOG NO.	CB COMPRESSION	CB COMPRESSION	LENGTH	APPROX. WT. LBS.
119NL-H1H1	1/2"	1/2"	1.93"	
119NL-H2H2	5/8"	5/8"	1.64"	
119NL-H2H3	5/8"	3/4"	1.79"	0.8
119NL-H3H3	3/4"	3/4"	1.93"	1.0
119NL-H4H3	1"	3/4"	2.10"	1.5
119NL-H4H4	1"	1"	2.12"	1.7
119NL-H5H5	1 1/4"	1 1/4"	3.07"	3.7
119NL-H5H4	1 1/4"	1"	2.41"	
119NL-H6H6	1 1/2"	1 1/2"	2.78"	3.1
119NL-H7H7	2"	2"	3.04"	4.0

Submitted by: