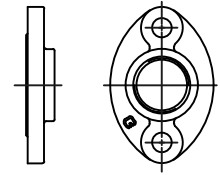


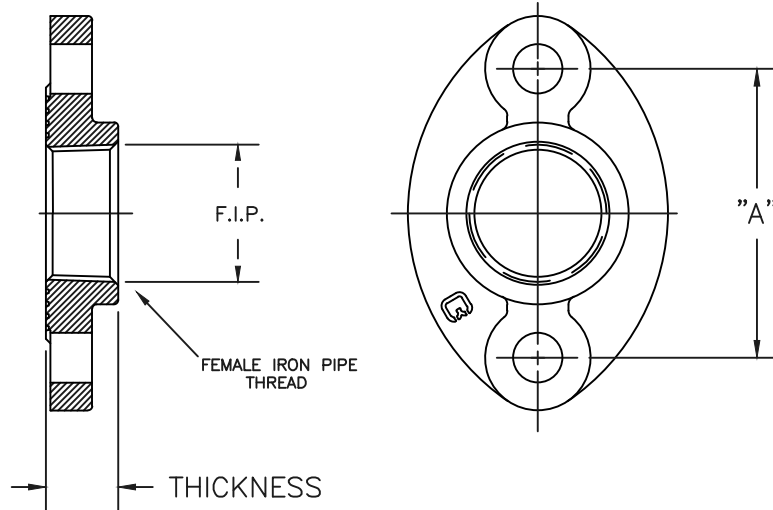
Cambridge Brass
P.O. Box 249
140 Orion Place
Cambridge, Ontario
Canada N1R 5V1
Tel: (519) 621-5520
Fax: (519) 621-8674
http://www.cambridgebrass.com



MODEL NO. 421NL

METER FLANGE x
FEMALE IRON PIPE

BRASS
METER FLANGE KIT



PARTS AND MATERIAL:
FLANGE: CAST BRASS, ALLOY C89833
BOLT: STAINLESS STEEL, 304
NUT: STAINLESS STEEL, 304
GASKET: NEOPRENE

- FEATURES:
- MANUFACTURED IN COMPLIANCE WITH AWWA STANDARD C800-05 (ASTM B-584, UNS NO C89833).
 - INCLUDES 2-FLANGES, 2-GASKETS, 4-NUTS, 4-BOLTS.
 - CONFORMS TO ANSI/NSF 61-8
 - CONFORMS TO ANSI/NSF 372 (COMPLIANT WITH US Safe Drinking Water Act, PL 111-380)
 - 300 PSI WORKING PRESSURE.

Cambridge Brass considers the information in this submittal form to be correct at the time of publication. Item and option availability, including specifications, are subject to change without notice.

METER FLANGE SIZE	CATALOG NO.	F.I.P.	THICKNESS	"A"	BOLT HOLE DIAMETER	APPROX. WT. LBS.
1 1/2"	421NL-6SS	1 1/2"	1.00"	4"	11/16"	
2"	421NL-7SS	2"	1.12"	4 1/2"	13/16"	

Submitted by: