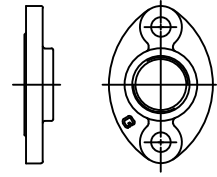


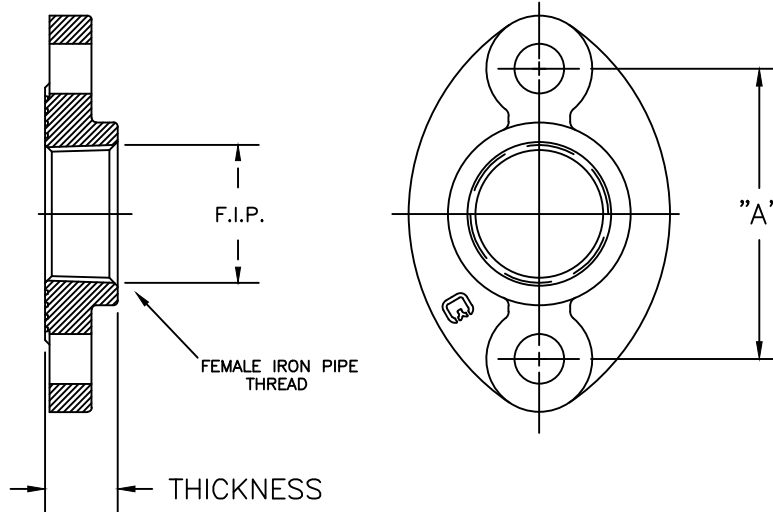
Cambridge Brass
 P.O. Box 249
 140 Orion Place
 Cambridge, Ontario
 Canada N1R 5V1
 Tel: (519) 621-5520
 Fax: (519) 621-8674
 http://www.cambridgebrass.com



MODEL NO. 422

METER FLANGE x
 FEMALE IRON PIPE

DUCTILE IRON
 METER FLANGE KIT



PARTS AND MATERIAL:
 FLANGE: DUCTILE IRON
 BOLT: STEEL, ZINC PLATED
 NUT: STEEL, ZINC PLATED
 GASKET: NEOPRENE

- FEATURES:
- MANUFACTURED IN COMPLIANCE WITH AWWA STANDARD C800-05
 - INCLUDES 2-FLANGES, 2-GASKETS, 4-NUTS, 4-BOLTS.

Cambridge Brass considers the information in this submittal form to be correct at the time of publication. Item and option availability, including specifications, are subject to change without notice.

METER FLANGE SIZE	CATALOG NO.	F.I.P.	THICKNESS	"A"	BOLT HOLE DIAMETER	APPROX. WT. LBS.
1 1/2"	422-6	1 1/2"	1.00"	4"	11/16"	
2"	422-7	2"	1.10"	4 1/2"	13/16"	

Submitted by: