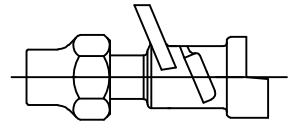


Cambridge Brass
P.O. Box 249
140 Orion Place
Cambridge, Ontario
Canada N1R 5V1
Tel: (519) 621-5520
Fax: (519) 621-8674
http://www.cambridgebrass.com

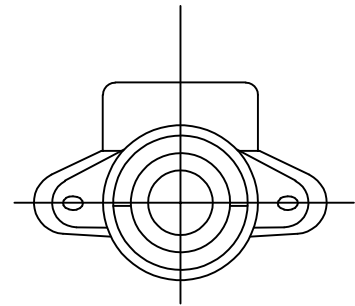
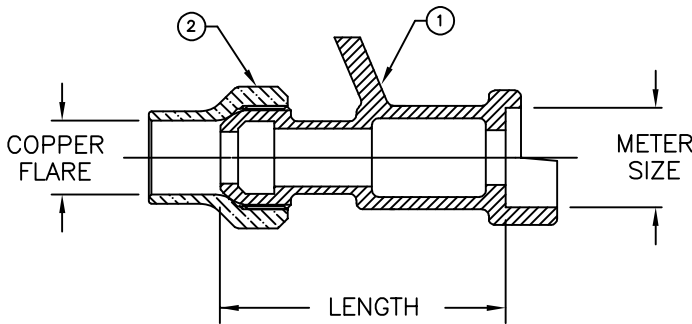


MODEL NO. 417NL

COPPER FLARE x METER YOKE

METER YOKE
STRAIGHT BODY

FOR COPPER TUBING x METER SPUD



PARTS AND MATERIAL:

- 1. BODY: NO LEAD CAST BRASS, ALLOY C89833
- 2. NUT: CAST BRASS: ALLOY C83600

FEATURES:

- ALL COMPONENTS CONFORM TO AWWA C800-05 (ASTM B-584, UNS NO C89833 FOR BRASS PARTS IN CONTACT WITH POTABLE WATER, AND ASTM B-62 AND B-584, UNS NO C83600 FOR ALL OTHER BRASS PARTS).
- CONFORMS TO ANSI/NSF 61-8
- CONFORMS TO ANSI/NSF 372 (COMPLIANT WITH US Safe Drinking Water Act. PL 111-380)
- 300 PSI WORKING PRESSURE.
- BODY AND NUTS PROVIDE WRENCH FLATS FOR INSTALLATION.
- FLOW CAN BE IN EITHER DIRECTION.
- SIDE HOLES PROVIDED FOR ATTACHING BODY TO METER BOX.

Cambridge Brass considers the information in this submittal form to be correct at the time of publication. Item and option availability, including specifications, are subject to change without notice.

CATALOG NO.	COPPER FLARE	METER SIZE	LENGTH	APPROX. WT. LBS.
417NL-C1MY1	1/2"	5/8"	2.75	
417NL-C3MY1	3/4"	5/8"	3.00	

Submitted by: