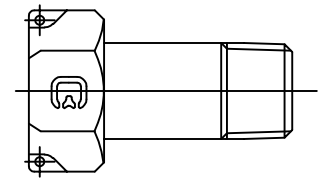


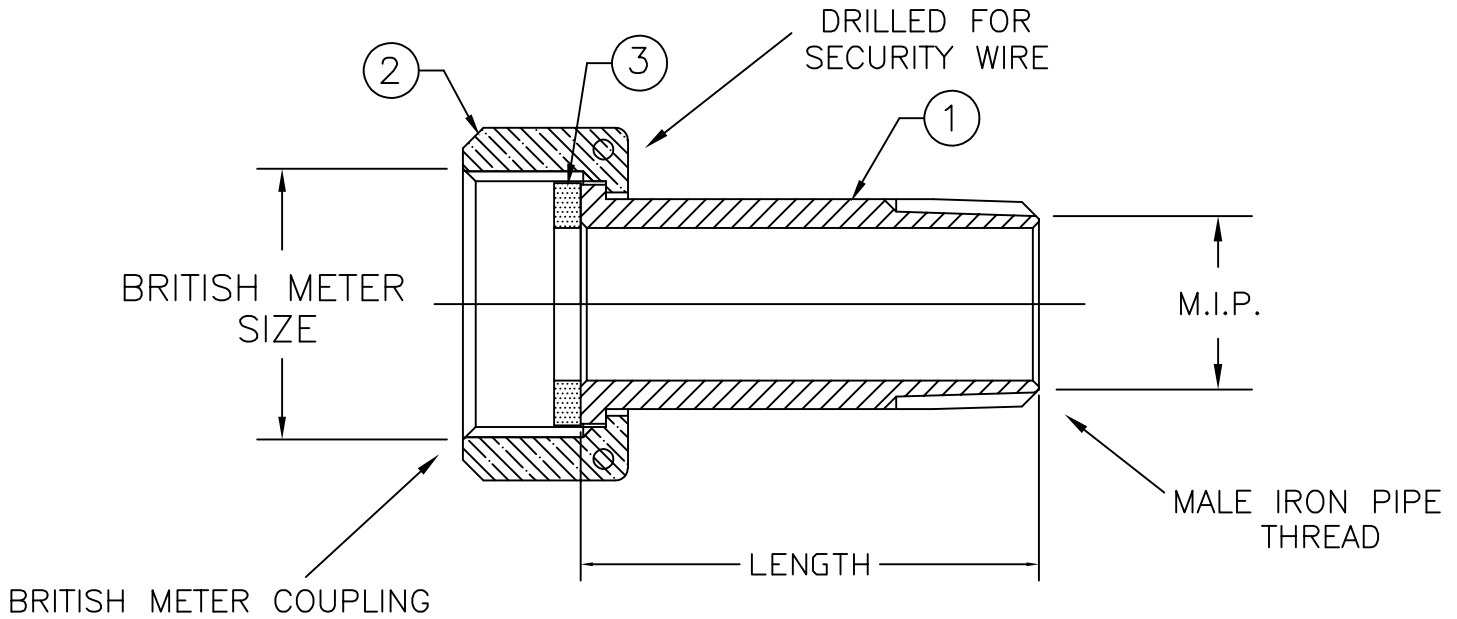
Cambridge Brass
P.O. Box 249
140 Orion Place
Cambridge, Ontario
Canada N1R 5V1
Tel: (519) 621-5520
Fax: (519) 621-8674
http://www.cambridgebrass.com



MODEL NO. 417NL

BRITISH METER SWIVEL NUT x
MALE IRON PIPE

STRAIGHT METER COUPLING



PARTS AND MATERIAL:

1. COUPLING BODY: NO LEAD CAST BRASS, ALLOY C89833
2. BRITISH METER SWIVEL NUT: CAST BRASS, ALLOY C84400
3. METER GASKET: EPDM RUBBER

- CONFORMS TO AWWA C800 (ASTM B584 UNS C89833 FOR BRASS PARTS IN CONTACT WITH POTABLE WATER)
- CONFORMS TO ANSI/NSF 61-8
- CONFORMS TO ANSI/NSF 372 (COMPLIANT WITH US Safe Drinking Water Act. PL 111-380)
- BODY AND NUTS PROVIDE WRENCH FLATS FOR INSTALLATION
- 300PSI WORKING PRESSURE
- SLIP-ON METER SWIVEL NUT
- CONFORMS TO AWWA C700 FOR METER THREADS

Cambridge Brass considers the information in this submittal form to be correct at the time of publication. Item and option availability, including specifications, are subject to change without notice.

CATALOG NO.	METER SIZE	BRITISH METER THREAD	MALE IRON PIPE	LENGTH	APPROX. WT. LBS.
417NL-BT1M1	5/8"	3/4" BSPP	1/2"	2.37"	
417NL-BT3M3	5/8"X3/4" & 3/4"	1" BSPP	3/4"	2.50"	
417NL-BT4M4	1"	1 1/4" BSPP	1"	2.62"	

Submitted by: