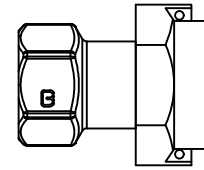


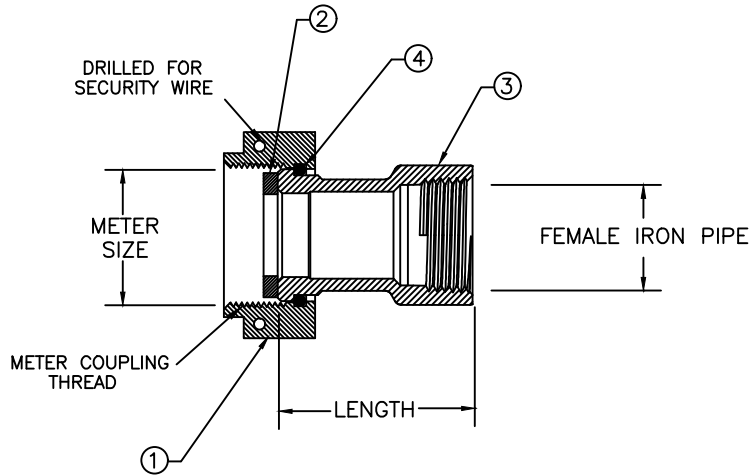
Cambridge Brass  
P.O. Box 249  
140 Orion Place  
Cambridge, Ontario  
Canada N1R 5V1  
Tel: (519) 621-5520  
Fax: (519) 621-8674  
http://www.cambridgebrass.com



MODEL NO. 417NL

METER SWIVEL NUT x FEMALE IRON PIPE

METER COUPLING



PARTS AND MATERIAL:

1. METER SWIVEL NUT: CAST BRASS, ALLOY C84400
2. GASKET: EPDM RUBBER
3. TAILPIECE: CAST BRASS, ALLOY C89833
4. RETAINER RING: PHOSPHOR BRONZE WIRE

FEATURES:

- CONFORMS TO AWWA C800 (ASTM B584 UNS C89833 FOR ALL BRASS PARTS IN CONTACT WITH POTABLE WATER)
- CONFORMS TO ANSI/NSF 61-8
- CONFORMS TO ANSI/NSF 372 (COMPLIANT WITH US Safe Drinking Water Act. PL 111-380)
- 300PSI WORKING PRESSURE
- CONFORMS TO AWWA C700 FOR METER THREADS.

Cambridge Brass considers the information in this submittal form to be correct at the time of publication. Item and option availability, including specifications, are subject to change without notice.

CATALOG NO.	METER SIZE	METER THREAD	FEMALE PIPE THREAD (NPT)	LENGTH	APPROX. WT. LBS.
417NL-T3F3	5/8" X 3/4" or 3/4"	1" NPSM	3/4"	1.75"	
417NL-T4F4	1"	1 1/4" NPSM	1"	1.75"	

Submitted by: