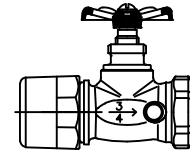


Cambridge Brass  
P.O. Box 249  
140 Orion Place  
Cambridge, Ontario  
Canada N1R 5V1  
Tel: (519) 621-5520  
Fax: (519) 621-8674  
http://www.cambridgebrass.com



MODEL NO. 32NL

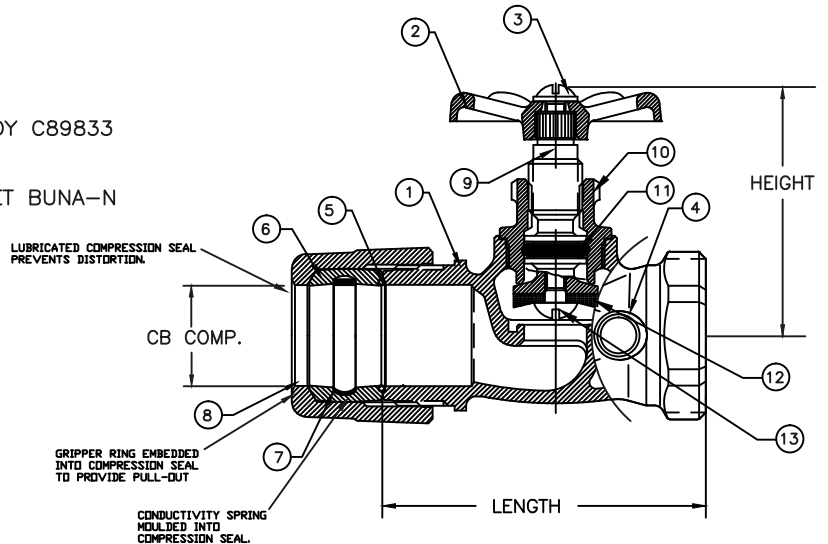
CB COMPRESSION x FIP

COMP. STOP & DRAIN VALVE

FOR COPPER OR PLASTIC TUBING (CTS)

PARTS AND MATERIAL:

1. VALVE BODY: NO LEAD CAST BRASS ALLOY C89833
2. HAND WHEEL: ALUMINUM 383
3. HANDLE SCREW: STEEL
4. DRAIN ASS'Y: CAP ALLOY C36000, GASKET BUNA-N
5. CONDUCTOR SPRING: BRASS
6. COMPRESSION SEAL: EPDM
7. GRIPPER: STAINLESS STEEL, TYPE 302
8. TAILNUT: CAST BRASS, ALLOY C83600
9. STEM, ALLOY C36000
10. BONNET, NO LEAD ALLOY C27450
11. O-RING, NITRILE
12. SEAT, BUNA-N
13. SCREW, NO LEAD ALLOY C26000



FEATURES

- CONFORMS TO AWWA C800 (ASTM B584 UNS C89833 FOR BRASS PARTS IN CONTACT WITH POTABLE WATER)
- CONFORMS TO ANSI/NSF 61-8
- CONFORMS TO ANSI/NSF 372 (COMPLIANT WITH US Safe Drinking Water Act. PL 111-380)
- BODY AND NUTS PROVIDE WRENCH FLATS FOR INSTALLATION
- 125PSI WORKING PRESSURE
- VALVES ARE DIRECTIONAL (FLOW DIRECTION MARKED ON VALVE BODY)

Cambridge Brass considers the information in this submittal form to be correct at the time of publication. Item and option availability, including specifications, are subject to change without notice.

VALVE SIZE	CATALOG NO.	CB COMP.	FIP	LENGTH	HEIGHT	APPROX. WT. LBS.
3/4"	32NL-H3F3	3/4"	3/4"	2.89"	2.24"	1.06

Submitted by: