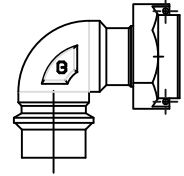


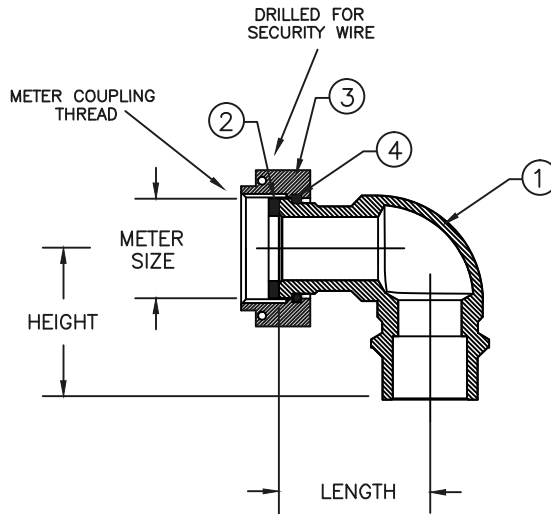
Cambridge Brass  
 P.O. Box 249  
 140 Orion Place  
 Cambridge, Ontario  
 Canada N1R 5V1  
 Tel: (519) 621-5520  
 Fax: (519) 621-8674  
 http://www.cambridgebrass.com



MODEL NO. 405NL

METER SWIVEL NUT x  
 SOLDER

ANGLE METER COUPLING



**PARTS AND MATERIAL:**

1. COUPLING BODY: CAST BRASS, ALLOY C89833
2. SEALING WASHER: EPDM RUBBER
3. METER SWIVEL NUT: CAST BRASS, ALLOY C83600
4. RETAINING RING: PHOSPUR BRONZE WIRE

**FEATURES:**

- MANUFACTURED IN COMPLIANCE WITH AWWA STANDARD C800-05 (ASTM- 62 AND ASTM B-584, UNS NO C83600-85-5-5-5).
- CONFORMS TO AWWA C700 FOR METER THREADS.
- CONFORMS TO ANSI/NSF 61-8
- CONFORMS TO ANSI/NSF 372 (COMPLIANT WITH US Safe Drinking Water Act. PL 111-380)
- BODY PROVIDES WRENCH FLATES FOR PROPER INSTALLATION.
- 300 PSI WORKING PRESSURE.

Cambridge Brass considers the information in this submittal form to be correct at the time of publication. Item and option availability, including specifications, are subject to change without notice.

CATALOG NO.	METER SIZE	METER THREAD	SOLDER SIZE	HEIGHT	LENGTH	APPROX. WT. LBS.
405NL-T3S3	5/8"x3/4" & 3/4"	1" NPSM	3/4"	1.79"	1.79"	1.1

Submitted by: