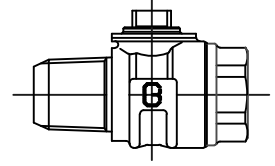


Cambridge Brass
P.O. Box 249
140 Orion Place
Cambridge, Ontario
Canada N1R 5V1
Tel: (519) 621-5520
Fax: (519) 621-8674
http://www.cambridgebrass.com

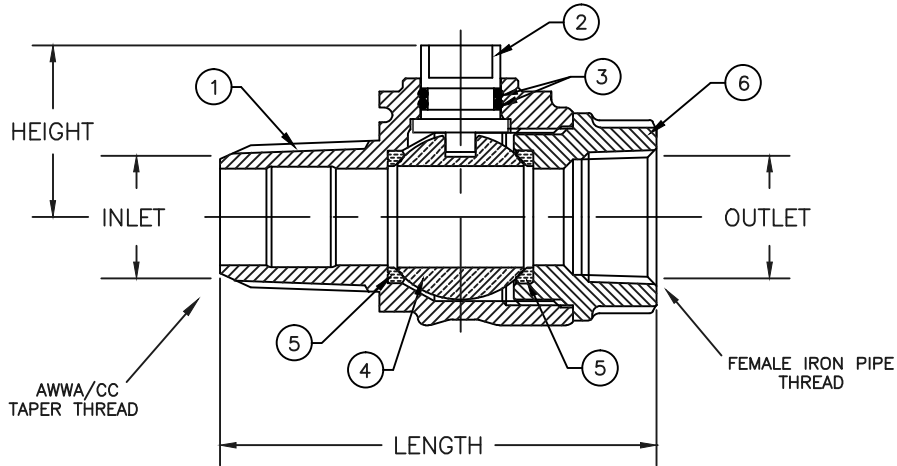


MODEL NO. 301

AWWA (CC) x FEMALE IRON PIPE

CORPORATION MAIN STOP
BALL STYLE

AWWA/CC TAPER THREAD INLET BY FEMALE IRON PIPE OUTLET



PARTS AND MATERIAL:

- 1. VALVE BODY: CAST BRASS, ALLOY C83600
- 2. STEM: STAINLESS STEEL, TYPE 303
- 3. O-RING: NITRILE RUBBER
- 4. BALL: CAST BRASS, ALLOY C89833
- 5. SEATS: TEFLON
- 6. ENDBODY: CAST BRASS, ALLOY C83600

FEATURES:

- MANUFACTURED IN COMPLIANCE WITH AWWA STANDARD C800-05 (ASTM B-584, UNS NO C89833).
- CONFORMS TO ANSI/NSF 61-8
- CONFORMS TO ANSI/NSF 372 (COMPLIANT WITH US Safe Drinking Water Act, PL 111-380)
- BLOWOUT PROOF DESIGN.
- 300 PSI WORKING PRESSURE.
- BODY PROVIDES LARGE, RUGGED FLATS FOR PROPER INSTALLATION.
- FULL 360 DEGREE ROTATION.

Cambridge Brass considers the information in this submittal form to be correct at the time of publication. Item and option availability, including specifications, are subject to change without notice.

VALVE SIZE IN	CATALOG NO.	INLET AWWA (CC) IN(mm)	OUTLET F.J.P. IN(mm)	LENGTH IN(mm)	HEIGHT IN(mm)	APPROX. WEIGHT LBS.(kg)
3/4"	301NL-A3F3	3/4"(19)	3/4"(19)	3.40"(86)	1.33"(34)	
1"	301NL-A4F4	1"(25)	1"(25)	3.84"(98)	1.51"(38)	2.0(0.91)
1 1/4"	301NL-A5F5	1 1/4"(32)	1 1/4"(32)	5.40"(137)	2.17"(55)	5.8(14.73)
1 1/2"	301NL-A6F6	1 1/2"(38)	1 1/2"(38)	5.52"(140)	2.17"(55)	6.0(15.24)
2"	301NL-A7F7	2"(51)	2"(51)	5.81"(148)	2.47"(63)	8.7(20.32)

Submitted by: