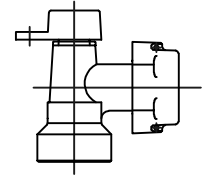


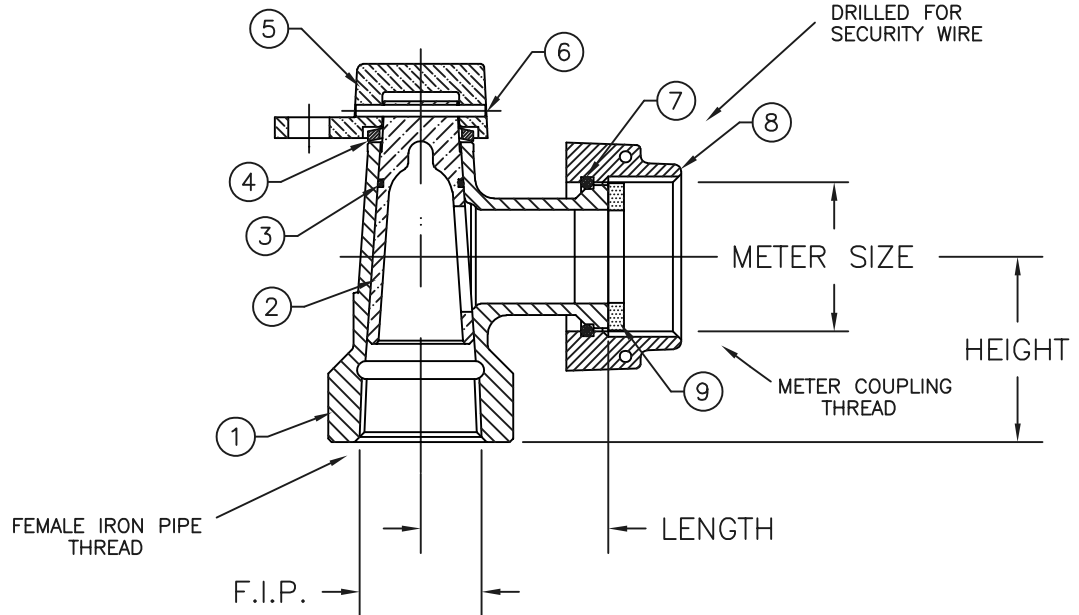
Cambridge Brass
P.O. Box 249
140 Orion Place
Cambridge, Ontario
Canada N1R 5V1
Tel: (519) 621-5520
Fax: (519) 621-8674
http://www.cambridgebrass.com



MODEL NO. 292NL

NL FEMALE IRON PIPE x
METER SWIVEL NUT

NL ANGLE METER
PLUG VALVE



PARTS AND MATERIAL:

1. BODY: CAST BRASS, ALLOY C89833
2. PLUG: CAST BRASS, ALLOY C89833
3. O-RING: NITRILE RUBBER
4. SPRING: PHOSPHOR BRONZE
5. CAP: CAST BRASS, ALLOY C83600
6. PIN: STAINLESS STEEL, TYPE 304
7. RETAINING RING: PHOSPHOR BRONZE
8. METER SWIVEL NUT: CAST BRASS, ALLOY C84400
9. SEALING WASHER: EPDM RUBBER

FEATURES:

- MANUFACTURED IN COMPLIANCE WITH AWWA STANDARD C800 (ASTM B-584, UNS NO C89833).
- CONFORMS TO ANSI/NSF 61-8
- CONFORMS TO ANSI/NSF 372 (COMPLIANT WITH US Safe Drinking Water Act. PL 111-380)
- PADLOCK WING FOR LOCKING VALVE IN CLOSED POSITION.
- 100 PSI WORKING PRESSURE.

Cambridge Brass considers the information in this submittal form to be correct at the time of publication. Item and option availability, including specifications, are subject to change without notice.

VALVE SIZE	CATALOG NO.	FEMALE IRON PIPE	METER SIZE	LENGTH	HEIGHT	APPROX. WT. LBS.
3/4"	292NL-F3T3	3/4"	5/8"x3/4" & 3/4"	1.70"	1.50"	
1"	292NL-F4T3	1"	5/8"x3/4" & 3/4"	1.70"	1.91"	
1"	292NL-F4T4	1"	1"	2.00"	1.97"	