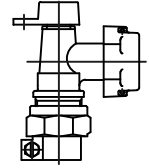


Cambridge Brass  
P.O. Box 249  
140 Orion Place  
Cambridge, Ontario  
Canada N1R 5V1  
Tel: (519) 621-5520  
Fax: (519) 621-8674  
http://www.cambridgebrass.com

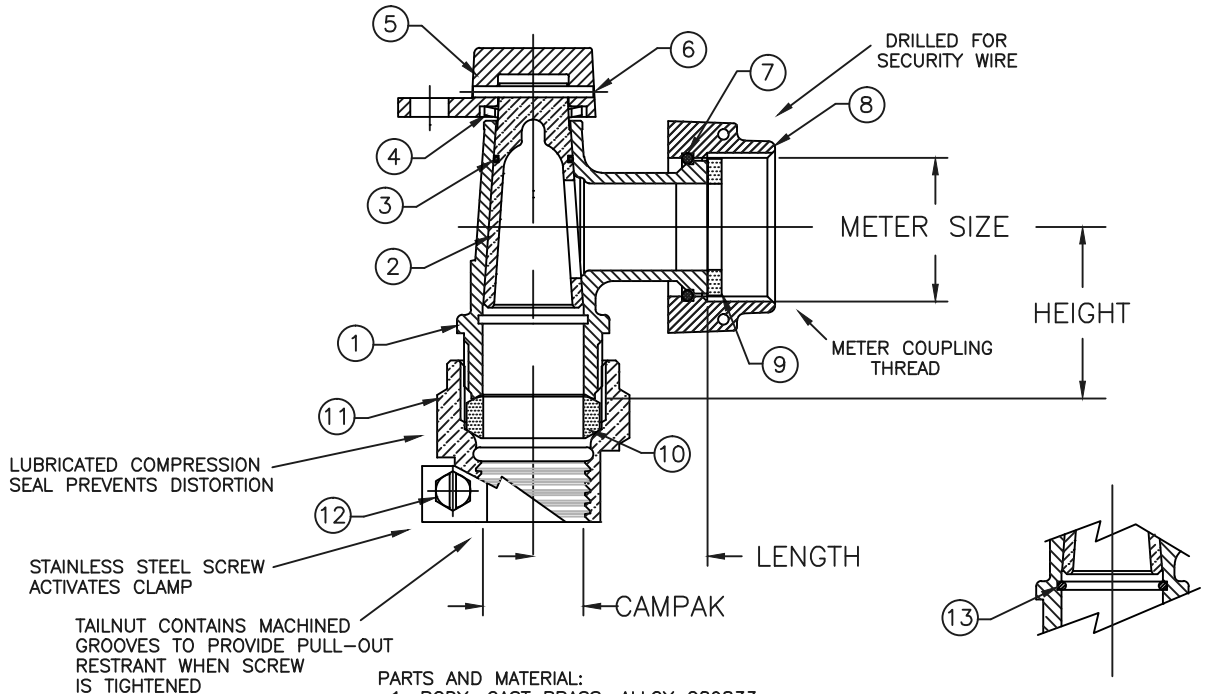


MODEL NO. 292NL

CAMPAK x METER SWIVEL NUT

ANGLE METER  
PLUG VALVE

FOR COPPER OR PLASTIC TUBING (CTS) x METER SPUD



292-B4T4 CONFIGURATION

PARTS AND MATERIAL:

1. BODY: CAST BRASS, ALLOY C89833
2. PLUG: CAST BRASS, ALLOY C89833
3. O-RING: NITRILE RUBBER
4. SPRING: PHOSPHOR BRONZE
5. CAP: CAST BRASS, ALLOY C83600
6. PIN: STAINLESS STEEL, TYPE 304
7. RETAINING RING: PHOSPHOR BRONZE
8. METER SWIVEL NUT: CAST BRASS, ALLOY C84400
9. SEALING WASHER: NITRILE RUBBER
10. COMPRESSION SEAL: NITRILE RUBBER
11. TAILNUT: CAST BRASS, ALLOY C83600
12. SCREW: STAINLESS STEEL, TYPE 304
13. RETAINING RING: PHOSPHOR BRONZE

FEATURES:

- ALL COMPONENTS CONFORM TO AWWA STANDARD C800-05 (ASTM B-584 UNS NO C89833 FOR BRASS PARTS IN CONTACT WITH POTABLE WATER, AND ASTM B-62 AND B-584 UNS NO C83600 FOR ALL OTHER BRASS PARTS).
- CONFORMS TO ANSI/NSF 61-8
- CONFORMS TO ANSI/NSF 372 (COMPLIANT WITH US Safe Drinking Water Act. PL 111-380)
- LOCKWING FOR LOCKING THE VALVE IN A CLOSED POSITION.
- 100 PSI WORKING PRESSURE.

Cambridge Brass considers the information in this submittal form to be correct at the time of publication. Item and option availability, including specifications, are subject to change without notice.

VALVE SIZE	CATALOG No.	CAMPAK	METER SIZE	LENGTH	HEIGHT	APPROX. WT. LBS.
3/4"	292NL-B3T3	3/4"	5/8"x3/4" & 3/4"	1.70"	1.69"	
3/4"	292NL-B4T3	1"	5/8"x3/4" & 3/4"	1.70"	1.91"	
1"	292NL-B4T4	1"	1"	2.00"	1.97"	

Submitted by: