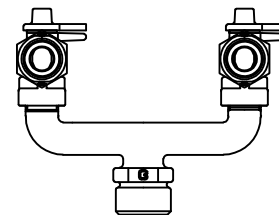


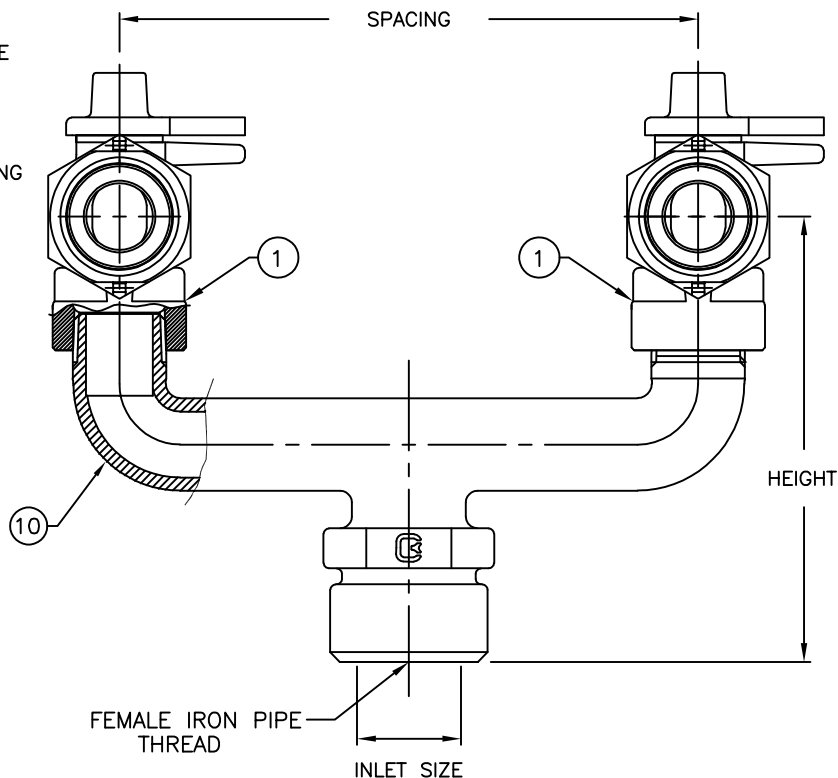
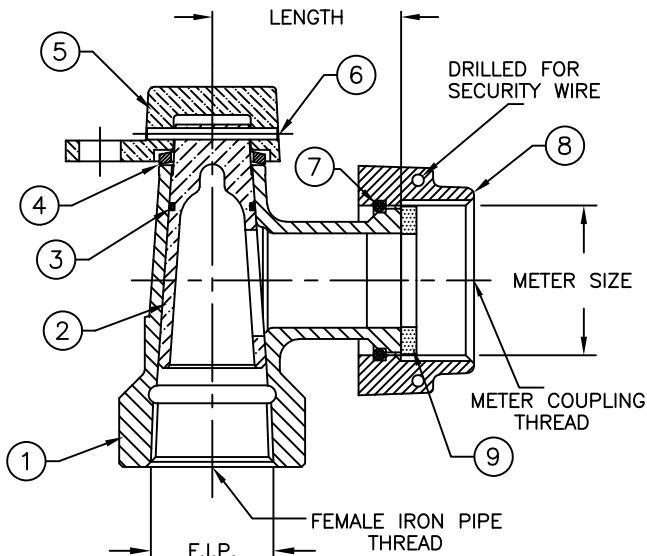
Cambridge Brass  
P.O. Box 249  
140 Orion Place  
Cambridge, Ontario  
Canada N1R 5V1  
Tel: (519) 621-5520  
Fax: (519) 621-8674  
http://www.cambridgebrass.com



MODEL NO. 281NL

FEMALE IRON PIPE x METER SWIVEL NUT

DOUBLE ANGLE PLUG VALVE



**PARTS AND MATERIAL:**

1. BODY: CAST BRASS, ALLOY C89833
2. PLUG: CAST BRASS, ALLOY C89833
3. O-RING: NITRILE RUBBER
4. SPRING: PHOSPHOR BRONZE
5. CAP: CAST BRASS, ALLOY C83600
6. PIN: STAINLESS STEEL, TYPE 304
7. RETAINING RING: PHOSPHOR BRONZE
8. METER SWIVEL NUT: CAST BRASS, ALLOY C84400
9. SEALING WASHER: NITRILE RUBBER
10. BRANCH BODY: CAST BRASS, ALLOY C89833

**FEATURES:**

- ALL COMPONENTS CONFORM TO AWWA C800-05 (ASTM B-584, UNS NO C89833 FOR BRASS PARTS IN CONTACT WITH POTABLE WATER, AND ASTM B-62 AND B-584, UNS NO C83600 FOR ALL OTHER BRASS PARTS).
- CONFORMS TO ANSI/NSF 61-8
- CONFORMS TO ANSI/NSF 372 (COMPLIANT WITH US Safe Drinking Water Act. PL 111-380)
- BRANCH VALVES HAVE PADLOCK WINGS FOR LOCKING VALVE IN CLOSED POSITION.
- METER GASKETS SUPPLIED.
- METER THREADS CONFORM TO AWWA C700.
- 100 PSI WORKING PRESSURE.

Cambridge Brass considers the information in this submittal form to be correct at the time of publication. Item and option availability, including specifications, are subject to change without notice.

CATALOG NO.	FEMALE IRON PIPE	OUTLET METER SIZE	SPACING	HEIGHT	LENGTH	APPROX. WT. LBS.
281NL-F4T36500	1"	5/8"x3/4" OR 3/4"	6.50"	5.00"	1.70"	
281NL-F4T37500	1"	5/8"x3/4" OR 3/4"	7.50"	5.00"	1.70"	

Submitted by: