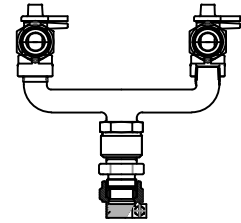


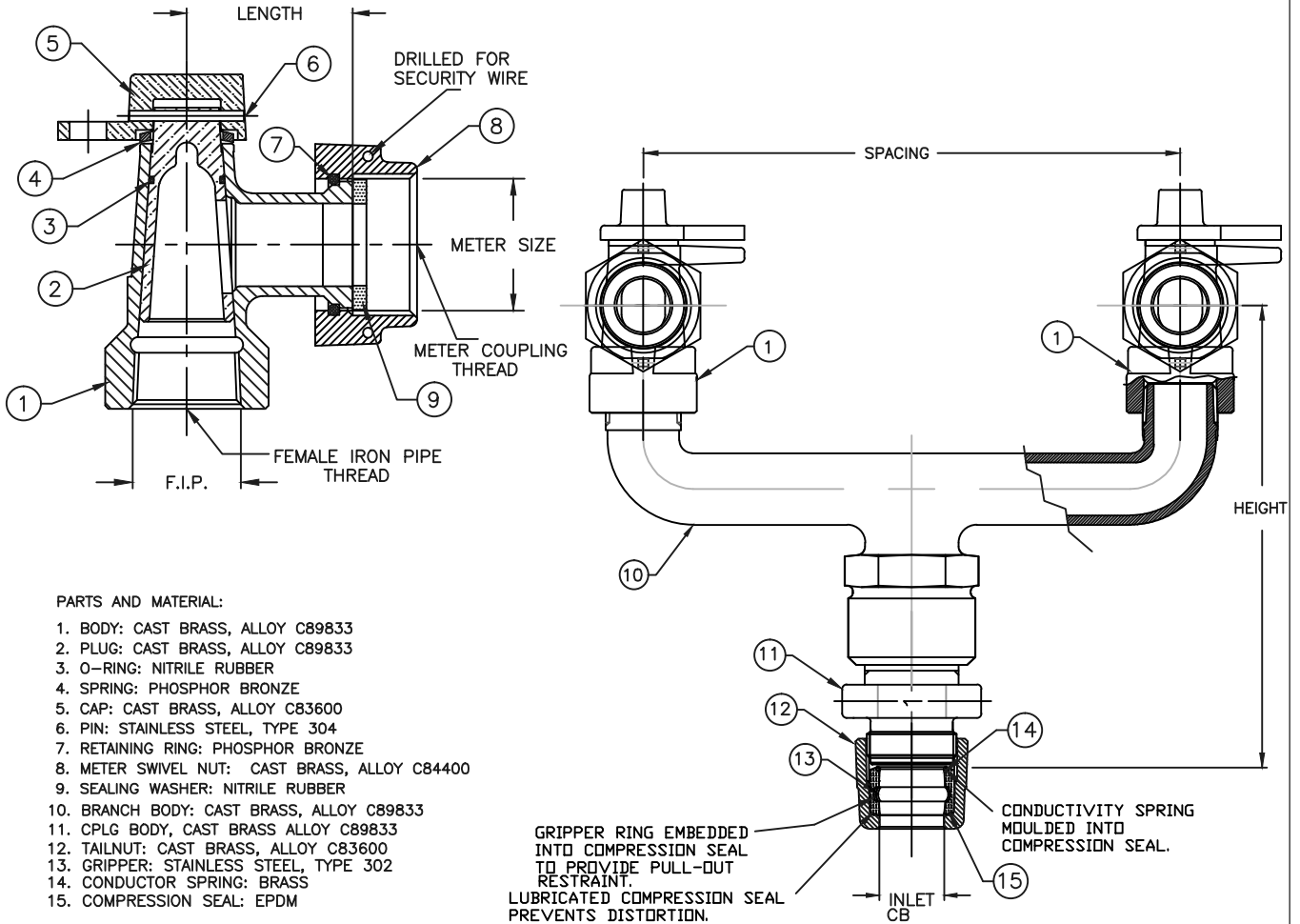
Cambridge Brass
P.O. Box 249
140 Orion Place
Cambridge, Ontario
Canada N1R 5V1
Tel: (519) 621-5520
Fax: (519) 621-8674
http://www.cambridgebrass.com



MODEL NO. 281NL

COMPRESSION x METER SWIVEL NUT

DOUBLE ANGLE PLUG VALVE



FEATURES:

- ALL COMPONENTS CONFORM TO AWWA STANDARD C800 (ASTM B-584 UNS NO C89833 FOR ALL BRASS PARTS IN CONTACT WITH POTABLE WATER, AND ASTM B-62 AND ASTM B-584 UNS NO C83600 FOR ALL OTHER BRASS PARTS).
- CONFORMS TO ANSI/NSF 372 (COMPLIANT WITH US Safe Drinking Water Act. PL 111-380)
- CONFORMS TO ANSI/NSF STANDARD 61-8.
- BRANCH VALVES HAVE PADLOCK WINGS FOR LOCKING VALVE IN CLOSED POSITION.
- METER GASKETS SUPPLIED.
- METER THREADS CONFORM TO AWWA C700.
- 100 PSI WORKING PRESSURE.

Cambridge Brass considers the information in this submittal form to be correct at the time of publication. Item and option availability, including specifications, are subject to change without notice.

CATALOG NO.	INLET SIZE	OUTLET METER SIZE	SPACING	HEIGHT	LENGTH	APPROX. WT. LBS.
281NL-H3T37500	3/4"	5/8"x3/4" OR 3/4"	7.50"	6.40"	1.70"	
281NL-H4T37500	1"	5/8"x3/4" OR 3/4"	7.50"	6.50"	1.70"	

Submitted by: