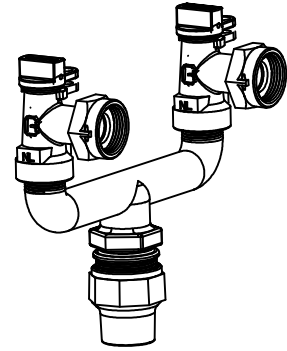
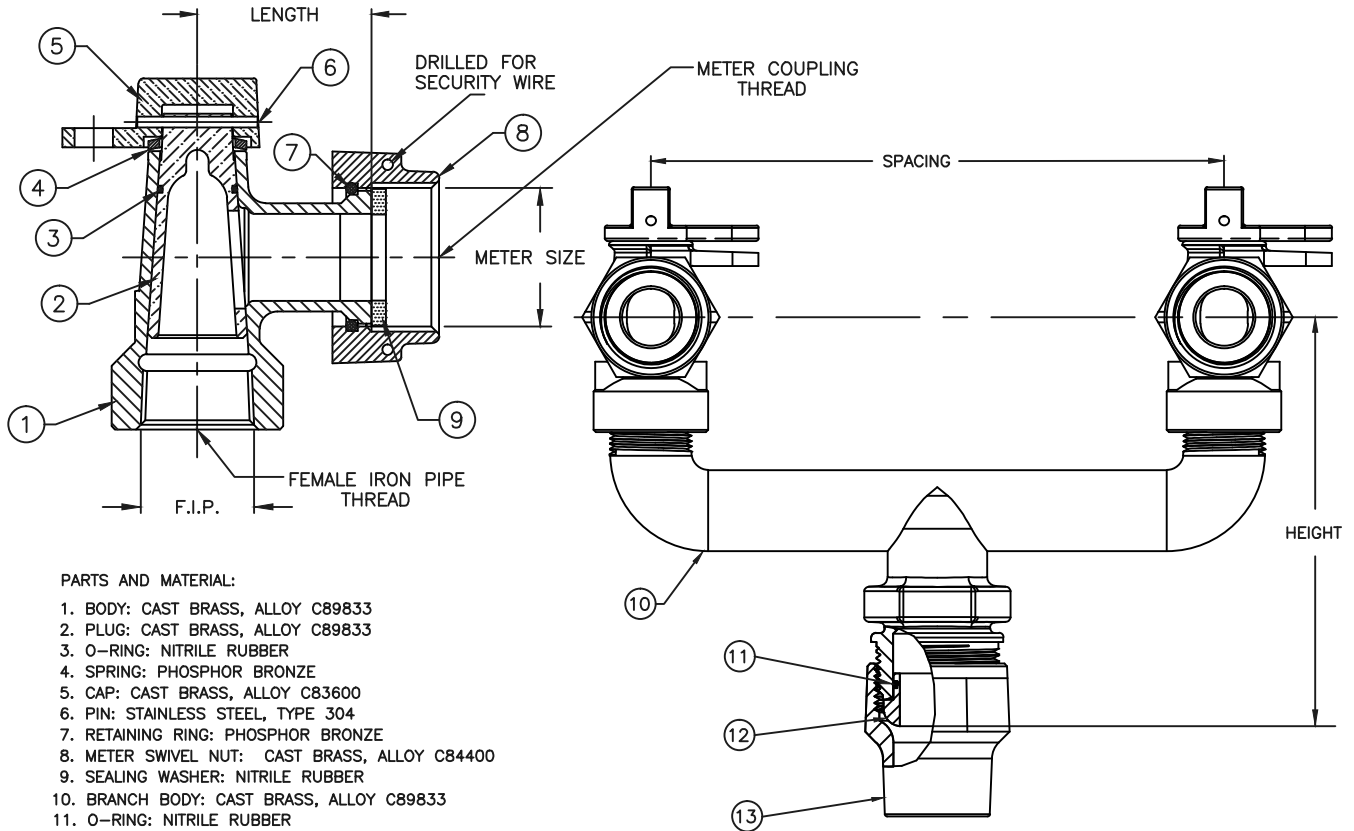


Cambridge Brass
 P.O. Box 249
 140 Orion Place
 Cambridge, Ontario
 Canada N1R 5V1
 Tel: (519) 621-5520
 Fax: (519) 621-8674
 http://www.cambridgebrass.com



MODEL NO. 281NL

DOUBLE ANGLE METER VALVE
 PLUG STYLE
 COPPER FLARE X SWIVEL NUT



PARTS AND MATERIAL:

1. BODY: CAST BRASS, ALLOY C89833
2. PLUG: CAST BRASS, ALLOY C89833
3. O-RING: NITRILE RUBBER
4. SPRING: PHOSPHOR BRONZE
5. CAP: CAST BRASS, ALLOY C83600
6. PIN: STAINLESS STEEL, TYPE 304
7. RETAINING RING: PHOSPHOR BRONZE
8. METER SWIVEL NUT: CAST BRASS, ALLOY C84400
9. SEALING WASHER: NITRILE RUBBER
10. BRANCH BODY: CAST BRASS, ALLOY C89833
11. O-RING: NITRILE RUBBER
12. ADAPTER, ALLOY C89833
13. COPPER FLARE NUT, ALLOY C83600

FEATURES:

- ALL COMPONENTS CONFORM TO AWWA C800-05 (ASTM B-584, UNS NO C89833 FOR BRASS PARTS IN CONTACT WITH POTABLE WATER, AND ASTM B-62 AND B-584, UNS NO C83600 FOR ALL OTHER BRASS PARTS).
- CONFORMS TO ANSI/NSF 61-8
- CONFORMS TO ANSI/NSF 372 (COMPLIANT WITH US Safe Drinking Water Act. PL 111-380)
- BRANCH VALVES HAVE PADLOCK WINGS FOR LOCKING VALVE IN CLOSED POSITION.
- METER GASKETS SUPPLIED.
- METER THREADS CONFORM TO AWWA C700.
- 100 PSI WORKING PRESSURE.

Cambridge Brass considers the information in this submittal form to be correct at the time of publication. Item and option availability, including specifications, are subject to change without notice.

CATALOG NO.	INLET SIZE	OUTLETS (2) METER SIZE	SPACING	HEIGHT	LENGTH	APPROX. WT. LBS.
281NL-C4T37500	1" CTS	5/8"x3/4" OR 3/4"	7.50"	5.35"	1.70"	

Submitted by: