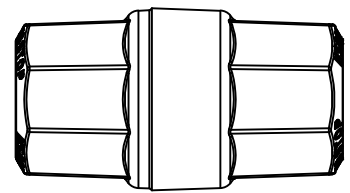


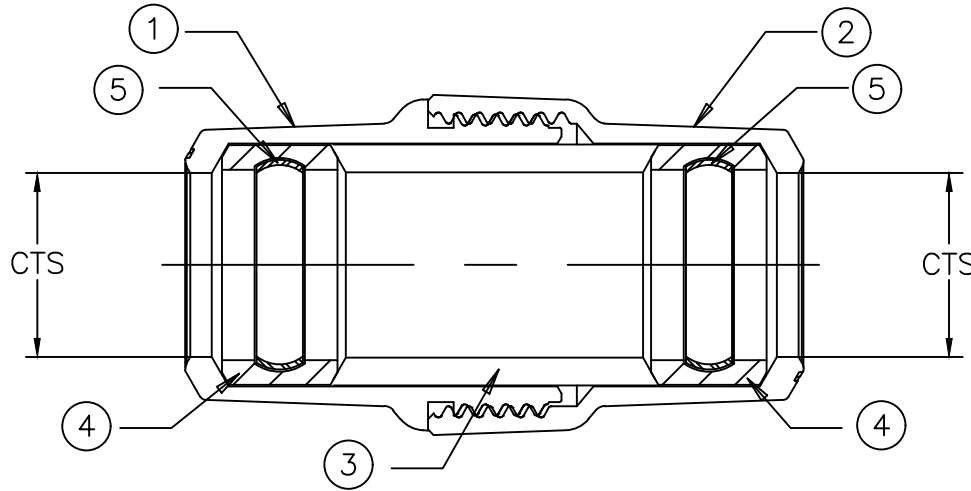
Cambridge Brass
P.O. Box 249
140 Orion Place
Cambridge, Ontario
Canada N1R 5V1
Tel: (519) 621-5520
Fax: (519) 621-8674
http://www.cambridgebrass.com



MODEL NO. 120NL

FAST CONNECT – CTS

COUPLING



PARTS AND MATERIAL:

- 1. MALE ENDBODY: CAST BRASS, C89833
- 2. FEMALE BODY: CAST BRASS, C89833
- 3. SPACER SLEEVE: CELCON M90 NATURAL
- 4. COMPRESSION SEAL: EPDM RUBBER
- 5. GRIPPER: STAINLESS STEEL, ALLOY 410

FEATURES:

- CONFORMS TO AWWA C800 (ASTM B584 UNS C89833 FOR ALL BRASS PARTS IN CONTACT WITH POTABLE WATER)
- CONFORMS TO ANSI/NSF 61-8
- CONFORMS TO ANSI/NSF 372 (COMPLIANT WITH US Safe Drinking Water Act. PL 111-380)
- BODY AND NUTS PROVIDE WRENCH FLATS FOR INSTALLATION
- 200PSIG WORKING PRESSURE
- PATENT PENDING

Cambridge Brass considers the information in this submittal form to be correct at the time of publication. Item and option availability, including specifications, are subject to change without notice.

COUPLING SIZE	CATALOG NO.	CB COMPRESSION	CB COMPRESSION	LENGTH	APPROX. WT. LBS.
3/4"	120NL-V3V3	3/4"	3/4"	3.01"	0.60
1"	120NL-V4V4	1"	1"	3.55"	1.05
1"	120NL-V4V3	1"	3/4"	3.57"	0.95
1 1/4"	120NL-V5V5	1 1/4"	1 1/4"	3.60"	1.57
1 1/2"	120NL-V6V6	1 1/2"	1 1/2"	3.80"	1.70
2"	120NL-V7V7	2"	2"	4.34"	2.62

Submitted by: