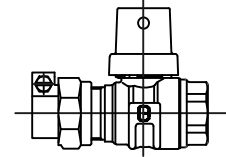


Cambridge Brass  
P.O. Box 249  
140 Orion Place  
Cambridge, Ontario  
Canada N1R 5V1  
Tel: (519) 621-5520  
Fax: (519) 621-8674  
http://www.cambridgebrass.com

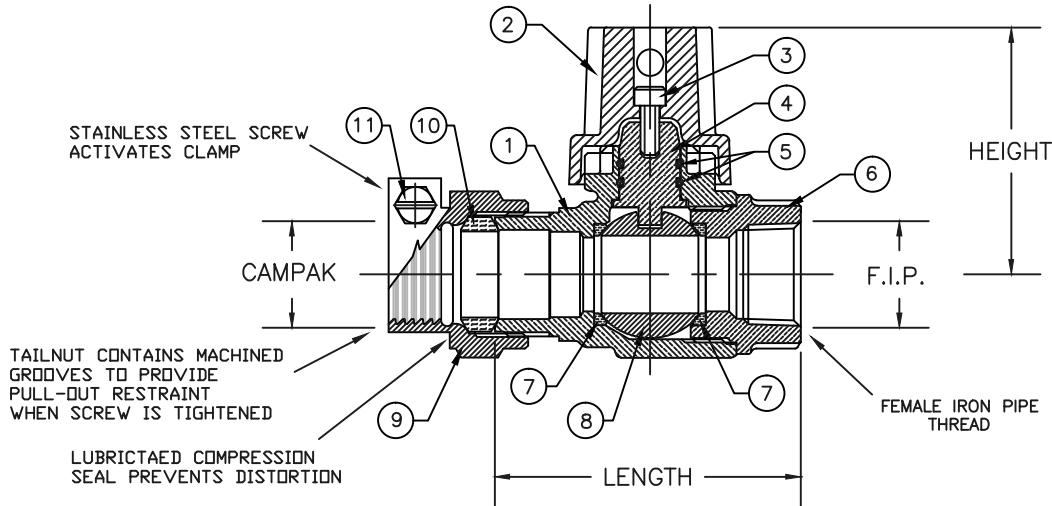


MODEL NO. 252NL

CAMPAK x FEMALE IRON PIPE

CURB STOP – BALL STYLE  
OPEN RIGHT

FOR COPPER OR PLASTIC TUBING (CTS) x THREADED PIPE



**PARTS AND MATERIAL:**

- 1. VALVE BODY: CAST BRASS, ALLOY C89833
- 2. CAP: CAST BRASS, ALLOY C83600
- 3. CAP SCREW: STAINLESS STEEL, TYPE 304
- 4. STEM: STAINLESS STEEL, TYPE 303
- 5. O-RING: NITRILE RUBBER
- 6. ENDBODY: CAST BRASS, ALLOY C89833
- 7. SEATS: TEFLON
- 8. BALL: CAST BRASS, ALLOY C89833
- 9. CAMPAK NUT: CAST BRASS, ALLOY C83600
- 10. COMPRESSION SEAL: NITRILE RUBBER
- 11. SCREW: STAINLESS STEEL, ALLOY 304

**FEATURES:**

- MANUFACTURED IN COMPLIANCE WITH AWWA STANDARD C800 (ASTM B-584, UNS NO C89833 FOR BRASS PARTS IN CONTACT WITH POTABLE WATER, AND ASTM B-62 AND B-584 UNS NO C83600 FOR ALL OTHER BRASS PARTS).
- CONFORMS TO ANSI/NSF 61-8
- CONFORMS TO ANSI/NSF 372 (COMPLIANT WITH US Safe Drinking Water Act. PL 111-380)
- VALVES ARE NON-DIRECTION WHICH ALLOWS FLOW TO BE IN EITHER DIRECTION.
- BODY DESIGN INCLUDES HEAVY WRENCH FLATS FOR PROPER INSTALLATION.
- ENCAPSULATED LUGS UNDER CAP PROVIDE 90 DEGREE OPEN TO CLOSE OPERATION.
- HOLE FOR ATTACHING CURB BOX ROD OR HANDLE IS PROVIDED IN CAP.
- BLOWOUT PROOF STEM DESIGN.
- 300 PSI WORKING PRESSURE.
- VALVES HAVE "NL" CAST IN LETTERS FOR PROPER IDENTIFICATION.

**ORDERING INFORMATION:**

HANDLE = ADD "H" TO END OF CATALOG NO.

Cambridge Brass considers the information in this submittal form to be correct at the time of publication. Item and option availability, including specifications, are subject to change without notice.

VALVE SIZE	CATALOG NO.	CAMPAK	F.I.P.	LENGTH	HEIGHT	APPROX. WT. LBS.
3/4"	252NL-B3F3	3/4"	3/4"	3.10"	2.50"	2.1
1"	252NL-B4F4	1"	1"	3.67"	2.68"	6.3
1 1/2"	252NL-B6F6	1 1/2"	1 1/2"	5.59"	3.31"	10.6
2"	252NL-B7F7	2"	2"	5.86"	3.61"	13.9

Submitted by: