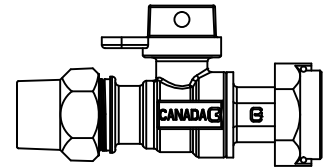


Cambridge Brass
P.O. Box 249
140 Orion Place
Cambridge, Ontario
Canada N1R 5V1
Tel: (519) 621-5520
Fax: (519) 621-8674
http://www.cambridgebrass.com

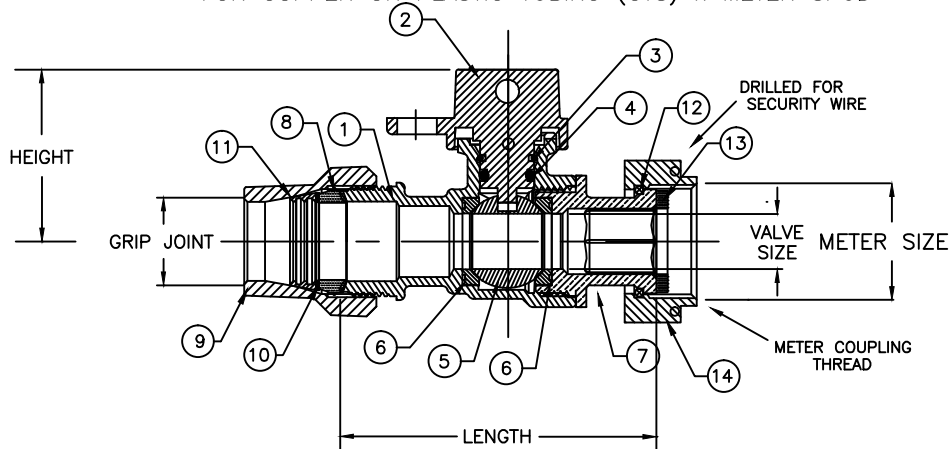


MODEL NO. 224NL

GRIP JOINT x METER SWIVEL NUT

CURB STOP – BALL STYLE
REDUCED PORT WITH LOCKWING

FOR COPPER OR PLASTIC TUBING (CTS) x METER SPUD



PARTS AND MATERIAL:

1. VALVE BODY: NO LEAD CAST BRASS, ALLOY C89833
2. CAP STEM S/A: NO LEAD CAST BRASS, ALLOY C89833
3. SNAP RING: PHOSPHOR BRONZE, ALLOY C51000
4. O-RING: NITRILE RUBBER
5. BALL: COPPER, ALLOY C89833, TEFLON COATED
6. SEATS: NITRIL RUBBER
7. ENDPIECE: NO LEAD CAST BRASS, ALLOY C89833
8. COMPRESSION SEAL: NITRILE RUBBER WITH GRIT
9. TAILNUT: CAST BRASS, ALLOY C83600
10. INSULATOR: POLYETHYLENE
11. GRIPPER: BRASS, ALLOY C26000
12. RETAINER RING: PHOSPOR BRONZE WIRE
13. SEALING WASHER: NEOPRENE RUBBER
14. METER SWIVEL NUT: CAST BRASS, ALLOY C83600

FEATURES:

- ALL COMPONENTS CONFORM TO AWWA STANDARD C800 (ASTM B-584 UNS NO C89833 FOR BRASS PARTS IN CONTACT WITH POTABLE WATER, AND ASTM B-62 AND B-584 UNS NO C83600 FOR ALL OTHER BRASS PARTS).
- CONFORMS TO ANSI/NSF 61-8
- CONFORMS TO ANSI/NSF 372 (COMPLIANT WITH US Safe Drinking Water Act. PL 111-380)
- FLOW CAN BE IN EITHER DIRECTION.
- ROTATION STOPS RESISTS 200 FT-LB TORQUE.
- ENCAPSULATED LUGS UNDER CAP PROVIDE 90 DEGREE OPEN TO CLOSE OPERATION.
- BLOWOUT PROOF DESIGN.
- 300 PSI WORKING PRESSURE.
- HOLE FOR ATTACHING HANDLE IS PROVIDED IN CAP.
- PADLOCK WING FOR LOCKING VALVE IN CLOSED POSITION.
- METER THREAD CONFORMS TO AWWA C700.

ORDERING INFORMATION:
FULL 360 ROTATION = ADD "R" TO END OF CATALOG NO.
HANDLE = ADD "H" TO END OF CATALOG NO.

Cambridge Brass considers the information in this submittal form to be correct at the time of publication. Item and option availability, including specifications, are subject to change without notice.

VALVE SIZE	CATALOG NO.	GRIP JOINT	METER SIZE	LENGTH	HEIGHT	APPROX. WT. LBS.
5/8"	224NL-GJ3T3	3/4"	5/8"x3/4" & 3/4"	3.88"	1.93"	1.8

Submitted by: