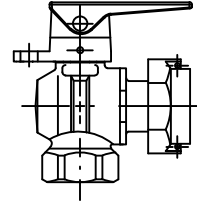


Cambridge Brass  
P.O. Box 249  
140 Orion Place  
Cambridge, Ontario  
Canada N1R 5V1  
Tel: (519) 621-5520  
Fax: (519) 621-8674  
http://www.cambridgebrass.com

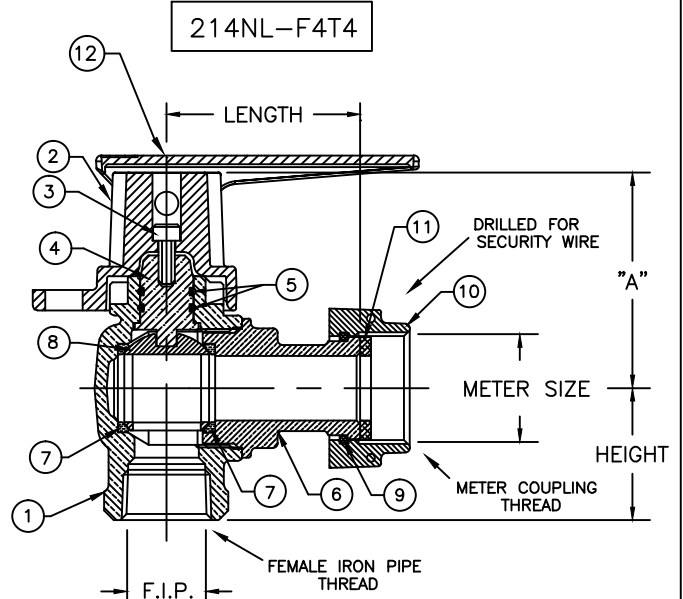
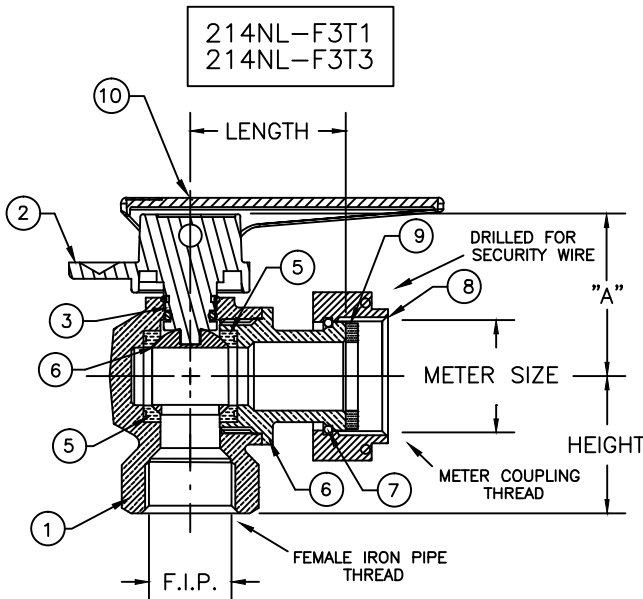


MODEL NO. 214NL

FEMALE IRON PIPE x METER SWIVEL NUT

ANGLE METER STOP – BALL STYLE  
REDUCED PORT WITH LOCKWING  
AND HANDLE

FOR THREADED PIPE x METER SPUD



- PARTS AND MATERIAL:**
1. VALVE BODY: NO LEAD CAST BRASS, ALLOY C89833
  2. LOCKING CAP: NO LEAD CAST BRASS, ALLOY C89833
  3. O-RING: NITRILE RUBBER
  4. ENDBODY: NO LEAD CAST BRASS, ALLOY C89833
  5. SEATS: NITRILE RUBBER
  6. BALL: COPPER, ALLOY C83600, TEFLON COATED
  7. RETAINER RING: PHOSPOR BRONZE WIRE
  8. METER SWIVEL NUT: CAST BRASS, ALLOY C84400
  9. SEALING WASHER: NEOPRENE RUBBER
  10. HANDLE: CAST BRASS, ALLOY C84400

- PARTS AND MATERIAL:**
1. VALVE BODY: CAST BRASS, ALLOY C83600
  2. LOCKING CAP: CAST BRASS, ALLOY C83600
  3. CAP SCREW: STAINLESS STEEL, TYPE 304
  4. STEM: STAINLESS STEEL, TYPE 303
  5. O-RING: NITRILE RUBBER
  6. ENDBODY: NO LEAD CAST BRASS, ALLOY C89833
  7. SEATS: TEFLON
  8. BALL: COPPER ALLOY, NO LEAD
  9. RETAINER RING: PHOSPOR BRONZE WIRE
  10. METER SWIVEL NUT: CAST BRASS, ALLOY C84400
  11. SEALING WASHER: NEOPRENE RUBBER
  12. HANDLE: CAST BRASS, ALLOY C84400

- FEATURES:**
- MANUFACTURED IN COMPLIANCE WITH AWWA STANDARD C800 (ASTM B-62 NAD ASTM B-584, UNS NO C83600-85-5-5-5).
  - FLOW CAN BE IN EITHER DIRECTION.
  - BLOWOUT PROOF DESIGN.
  - 300 PSI WORKING PRESSURE.
  - HOLE FOR ATTACHING HANDLE IS PROVIDED IN CAP.
  - PADLOCK WING FOR LOCKING VALVE IN CLOSED POSITION.
  - METER THREAD CONFORMS TO AWWA C700.

- FEATURES:**
- MANUFACTURED IN COMPLIANCE WITH AWWA STANDARD C800 (ASTM B-62 NAD ASTM B-584, UNS NO C83600-85-5-5-5).
  - FLOW CAN BE IN EITHER DIRECTION.
  - BLOWOUT PROOF DESIGN.
  - 300 PSI WORKING PRESSURE.
  - HOLE FOR ATTACHING HANDLE IS PROVIDED IN CAP.
  - PADLOCK WING FOR LOCKING VALVE IN CLOSED POSITION.
  - METER THREAD CONFORMS TO AWWA C700.

**ORDERING INFORMATION:**  
FULL 360 ROTATION = ADD "R" TO END OF CATALOG NO.  
HANDLE = ADD "H" TO END OF CATALOG NO.

Cambridge Brass considers the information in this submittal form to be correct at the time of publication. Item and option availability, including specifications, are subject to change without notice.

VALVE SIZE	CATALOG NO.	F.I.P.	METER SIZE	HEIGHT	LENGTH	"A"	APPROX. WHT. LBS.
5/8"	214NL-F3T1H	3/4"	5/8x1/2"	1.50"	1.70"	1.93"	
5/8"	214NL-F3T3H	3/4"	5/8x3/4 & 3/4"	1.50"	1.70"	1.93"	1.4
3/4"	214NL-F4T4H	1"	1"	2.17"	2.00"	2.50"	2.4

Submitted by: