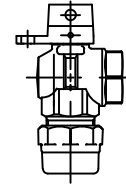


Cambridge Brass
P.O. Box 249
140 Orion Place
Cambridge, Ontario
Canada N1R 5V1
Tel: (519) 621-5520
Fax: (519) 621-8674
http://www.cambridgebrass.com



MODEL NO. 214NL

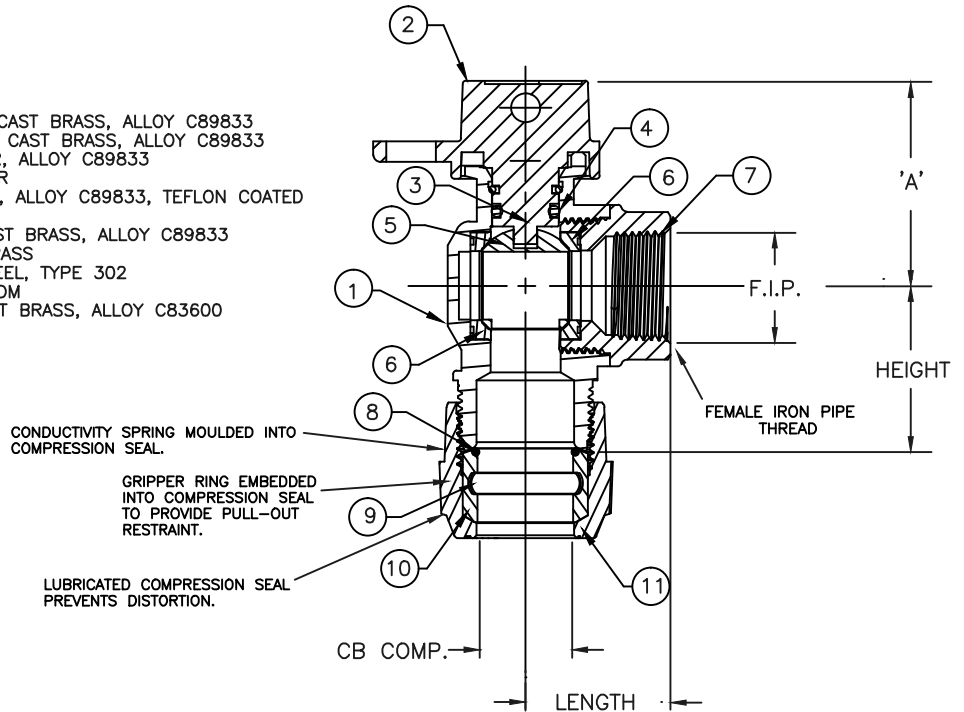
CB COMPRESSION x FEMALE IRON PIPE

ANGLE METER STOP – BALL STYLE
REDUCED PORT WITH LOCKWING

FOR COPPER OR PLASTIC TUBING (CTS) x THREADED PIPE

PARTS AND MATERIAL:

1. VALVE BODY: NO LEAD CAST BRASS, ALLOY C89833
2. LOCKING CAP: NO LEAD CAST BRASS, ALLOY C89833
3. STEM: NO LEAD COPPER, ALLOY C89833
4. O-RING: NITRILE RUBBER
5. BALL: NO LEAD COPPER, ALLOY C89833, TEFLON COATED
6. SEATS: NITRILE RUBBER
7. ENDPiece: NO LEAD CAST BRASS, ALLOY C89833
8. CONDUCTOR SPRING: BRASS
9. GRIPPER: STAINLESS STEEL, TYPE 302
10. COMPRESSION SEAL: EPDM
11. COMPRESSION NUT: CAST BRASS, ALLOY C83600



FEATURES:

- CONFORMS TO AWWA C800 (ASTM B584 UNS C89833 FOR BRASS PARTS IN CONTACT WITH POTABLE WATER)
- CONFORMS TO ANSI/NSF 61-8
- CONFORMS TO ANSI/NSF 372 (COMPLIANT WITH US Safe Drinking Water Act. PL 111-380)
- BODY AND NUTS PROVIDE WRENCH FLATS FOR INSTALLATION
- 300PSI WORKING PRESSURE
- FLOW CAN BE IN EITHER DIRECTION.
- BLOWOUT PROOF DESIGN.
- HOLE FOR ATTACHING HANDLE IS PROVIDED IN CAP.
- PADLOCK WING FOR LOCKING VALVE IN CLOSED POSITION.

ORDERING INFORMATION:

FULL 360 ROTATION = ADD "R" TO END OF CATALOG NO.
HANDLE = ADD "H" TO END OF CATALOG NO.

Cambridge Brass considers the information in this submittal form to be correct at the time of publication. Item and option availability, including specifications, are subject to change without notice.

VALVE SIZE	CATALOG NO.	CB COMP.	F.I.P.	LENGTH	HEIGHT	'A'	APPROX. WT. LBS.
5/8"	214NL-H3F3	3/4"	3/4"	1.35"	1.68"	1.93"	1.6

Submitted by: