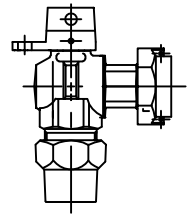


Cambridge Brass
P.O. Box 249
140 Orion Place
Cambridge, Ontario
Canada N1R 5V1
Tel: (519) 621-5520
Fax: (519) 621-8674
http://www.cambridgebrass.com

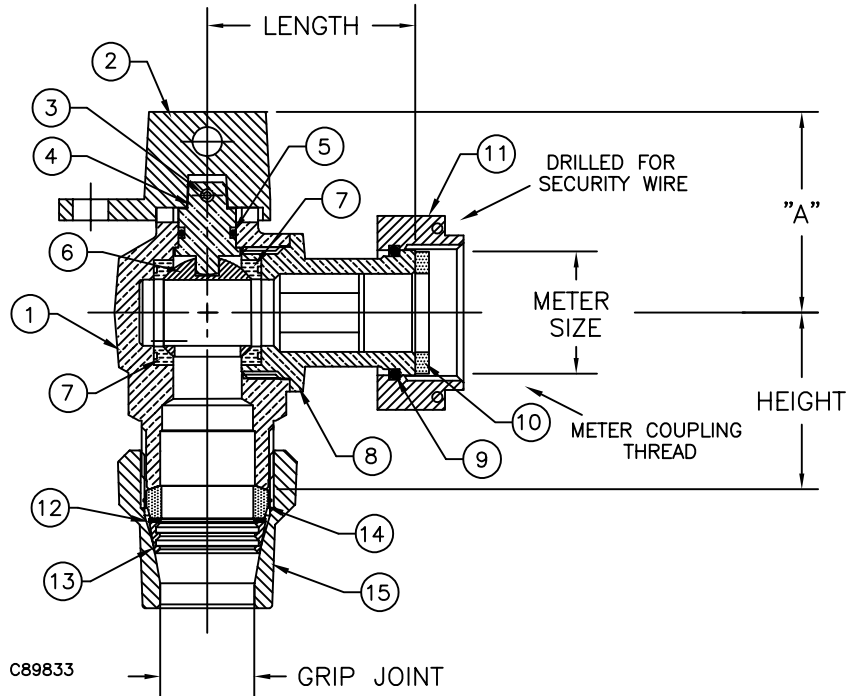


MODEL NO. 214NL

GRIP JOINT x METER SWIVEL NUT

ANGLE METER STOP – BALL STYLE
REDUCED PORT WITH LOCKWING

FOR COPPER OR PLASTIC TUBING (CTS) x METER SPUD



PARTS AND MATERIAL:

1. VALVE BODY: NO LEAD CAST BRASS, ALLOY C89833
2. LOCKING CAP: CAST BRASS, ALLOY C84400
3. CAP PIN: STAINLESS STEEL, TYPE 420
4. STEM: COPPER, ALLOY C83600
5. O-RING: NITRILE RUBBER
6. BALL: COPPER, ALLOY C83600, TEFLON COATED
7. SEATS: NITRILE RUBBER
8. ENDPiece: COPPER, ALLOY C83600
9. RETAINER RING: PHOSFOR BRONZE WIRE
10. SEALING WASHER: NEOPRENE RUBBER
11. METER SWIVEL NUT: CAST BRASS, ALLOY C84400
12. WASHER: POLYETHYLENE
13. GRIPPER: BRASS, ALLOY C26000
14. GASKET: NITRILE RUBBER
15. COMPRESSION NUT: CAST BRASS, ALLOY C83600

FEATURES:

- MANUFACTURED IN COMPLIANCE WITH AWWA STANDARD C800 (ASTM B-584 UNS NO C89833 FOR BRASS PARTS IN CONTACT WITH POTABLE WATER, AND ASTM B-62 AND B-584 UNS NO C83600 FOR ALL OTHER BRASS PARTS).
- CONFORMS TO ANSI/NSF 61-8
- CONFORMS TO ANSI/NSF 372 (COMPLIANT WITH US Safe Drinking Water Act. PL 111-380)
- FLOW CAN BE IN EITHER DIRECTION.
- BLOWOUT PROOF DESIGN.
- 300 PSI WORKING PRESSURE.
- HOLE FOR ATTACHING HANDLE IS PROVIDED IN CAP.
- PADLOCK WING FOR LOCKING VALVE IN CLOSED POSITION.
- METER THREAD COMFORMS TO AWWA C700.

ORDERING INFORMATION:

FULL 360 ROTATION = ADD "R" TO END OF CATALOG NO.
HANDLE = ADD "H" TO END OF CATALOG NO.

Cambridge Brass considers the information in this submittal form to be correct at the time of publication. Item and option availability, including specifications, are subject to change without notice.

VALVE SIZE	CATALOG NO.	GRIP JOINT	METER SIZE	HEIGHT	LENGTH	"A"	APPROX. WT. LBS.
5/8"	214NL-GJ3T3	3/4"	5/8" x 3/4" OR 3/4"	1.68"	1.97"	1.93"	1.8
1"	214NL-GJ4T4	1"	1"	2.17"	1.97"	2.53"	2.3

Submitted by: