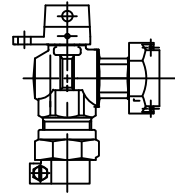


Cambridge Brass
P.O. Box 249
140 Orion Place
Cambridge, Ontario
Canada N1R 5V1
Tel: (519) 621-5520
Fax: (519) 621-8674
http://www.cambridgebrass.com



MODEL NO. 214NL

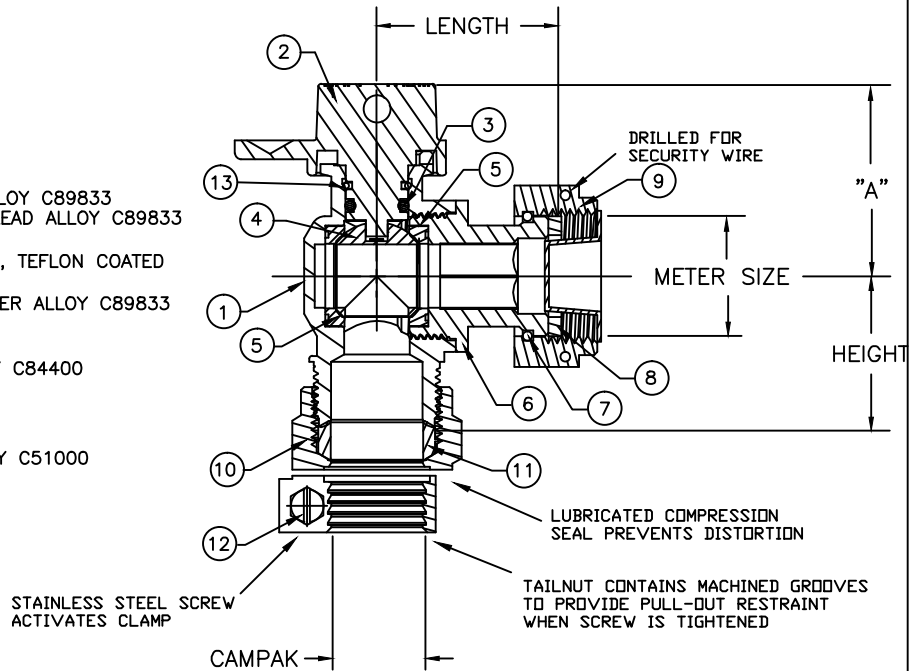
CAMPAK x METER SWIVEL NUT

ANGLE METER STOP – BALL STYLE
REDUCED PORT WITH LOCKWING

FOR COPPER OR PLASTIC TUBING (CTS) x METER SPUD

PARTS AND MATERIAL:

1. VALVE BODY: CAST BRASS, NO LEAD ALLOY C89833
2. LOCKING CAP/STEM: CAST BRASS, NO LEAD ALLOY C89833
3. O-RING: NITRILE RUBBER
4. BALL: NO LEAD COPPER ALLOY, C89833, TEFLON COATED
5. SEATS: NITRILE RUBBER
6. ENDPiece: CAST BRASS, NO LEAD COPPER ALLOY C89833
7. RETAINER RING: PHOSPOR BRONZE WIRE
8. SEALING WASHER: NEOPRENE RUBBER
9. METER SWIVEL NUT: CAST BRASS, ALLOY C84400
10. TAILNUT: CAST BRASS, ALLOY C83600
11. COMPRESSION SEAL: NITRILE RUBBER
12. SCREW: STAINLESS STEEL, ALLOY 304
13. SAFETY RING, PHOSPHOR BRONZE ALLOY C51000



FEATURES:

- CONFORMS TO AWWA C800 (ASTM B584 UNS C89833 FOR BRASS PARTS IN CONTACT WITH POTABLE WATER)
- CONFORMS TO ANSI/NSF 61-8
- CONFORMS TO ANSI/NSF 372 (COMPLIANT WITH US Safe Drinking Water Act. PL 111-380)
- BODY AND NUTS PROVIDE WRENCH FLATS FOR INSTALLATION
- 300PSI WORKING PRESSURE
- FLOW CAN BE IN EITHER DIRECTION.
- BLOWOUT PROOF DESIGN.
- HOLE FOR ATTACHING HANDLE IS PROVIDED IN CAP.
- PADLOCK WING FOR LOCKING VALVE IN CLOSED POSITION.
- METER THREADS COMFORM TO AWWA C700.

ORDERING INFORMATION:
FULL 360 ROTATION = ADD "R" TO END OF CATALOG NO.
HANDLE = ADD "H" TO END OF CATALOG NO.

Cambridge Brass considers the information in this submittal form to be correct at the time of publication. Item and option availability, including specifications, are subject to change without notice.

VALVE SIZE	CATALOG NO.	CAMPAK	METER SIZE	HEIGHT	LENGTH	"A"	APPROX. WT. LBS.
5/8"	214NL-B3T3	3/4"	5/8"x3/4" & 3/4"	1.68"	1.97"	1.93"	

Submitted by: