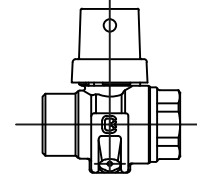


Cambridge Brass  
P.O. Box 249  
140 Orion Place  
Cambridge, Ontario  
Canada N1R 5V1  
Tel: (519) 621-5520  
Fax: (519) 621-8674  
http://www.cambridgebrass.com

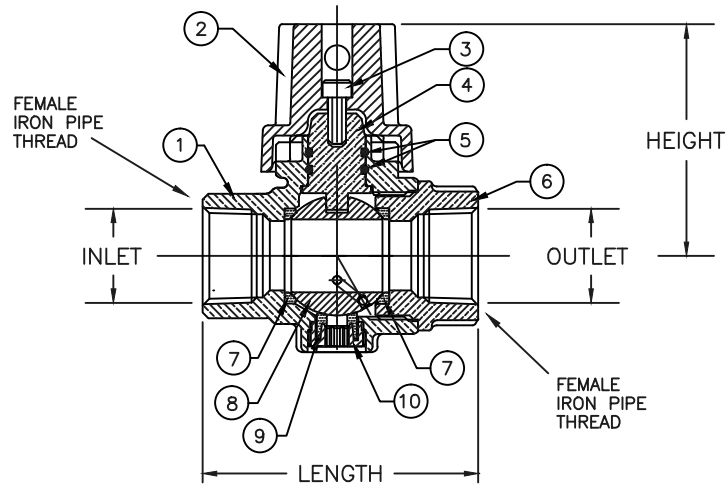


MODEL NO. 203NL

FEMALE IRON PIPE x FEMALE IRON PIPE

CURB STOP – BALL STYLE  
DRAINING

FOR THREADED PIPE



- PARTS AND MATERIAL:
1. VALVE BODY: CAST BRASS, ALLOY C89833
  2. CAP: CAST BRASS, ALLOY C83600
  3. CAP SCREW: STAINLESS STEEL, TYPE 304
  4. STEM: STAINLESS STEEL, TYPE 303
  5. O-RING: NITRILE RUBBER
  6. ENDBODY: CAST BRASS, ALLOY C89833
  7. SEATS: TEFLON
  8. BALL: CAST BRASS, ALLOY C89833
  9. DRAIN SEAL: NITRILE RUBBER
  10. DRAIN PLUG: COPPER, ALLOY C36000

FEATURES:

- CONFORMS TO AWWA C800 (ASTM B584 UNS C89833 FOR ALL BRASS PARTS IN CONTACT WITH POTABLE WATER)
- CONFORMS TO ANSI/NSF 61-8
- CONFORMS TO ANSI/NSF 372 (COMPLIANT WITH US Safe Drinking Water Act. PL 111-380)
- ROTATION STOPS RESISTS 200 FT-LB TORQUE.
- BLOWOUT PROOF DESIGN.
- ENCAPSULATED LUGS UNDER CAP PROVIDE 90 DEGREE OPEN TO CLOSE OPERATION.
- VALVES ARE DIRECTIONAL (FLOW DIRECTION ARROWS PROVIDED ON BODY).
- HOLE FOR ATTACHING CURB BOX ROD OR HANDLE IS PROVIDED IN CAP.
- 300 PSI WORKING PRESSURE.

ORDERING INFORMATION:

FULL 360 ROTATION = ADD "R" TO END OF CATALOG NO.  
HANDLE = ADD "H" TO END OF CATALOG NO.

Cambridge Brass considers the information in this submittal form to be correct at the time of publication. Item and option availability, including specifications, are subject to change without notice.

VALVE SIZE	CATALOG NO.	INLET F.I.P.	OUTLET F.I.P.	LENGTH	HEIGHT	APPROX. WT. LBS.
3/4"	203NL-F3F3	3/4"	3/4"	2.98"	2.50"	1.2
1"	203NL-F4F4	1"	1"	3.63"	2.68"	2.5
1 1/4"	203NL-F5F5	1 1/4"	1 1/4"	4.84"	3.31"	6.8
1 1/2"	203NL-F6F6	1 1/2"	1 1/2"	4.84"	3.31"	6.5
2"	203NL-F7F7	2"	2"	5.21"	3.61"	9.2

Submitted by: