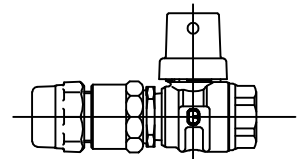


Cambridge Brass
P.O. Box 249
140 Orion Place
Cambridge, Ontario
Canada N1R 5V1
Tel: (519) 621-5520
Fax: (519) 621-8674
http://www.cambridgebrass.com

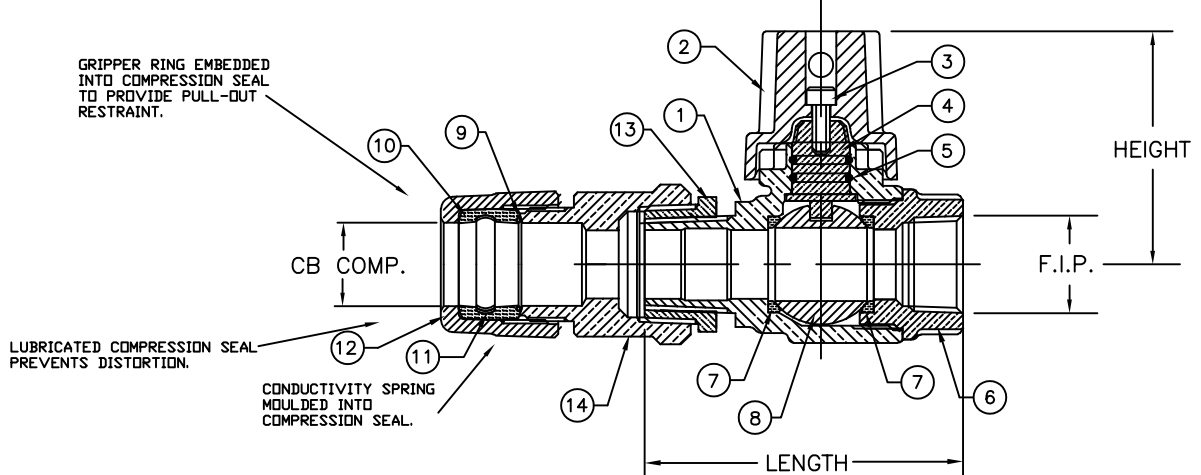


MODEL NO. 202NL

CB INSULATED X FEMALE IRON PIPE

INSULATED CURB STOP
BALL STYLE

FOR THREADED PIPE x COPPER OR PLASTIC TUBING (CTS)
WITH PROTECTION AGAINST SERVICE LINE ELECTROLYSIS



- PARTS AND MATERIAL:**
1. VALVE BODY: CAST BRASS, ALLOY C89833
 2. CAP: CAST BRASS, ALLOY C83600
 3. CAP SCREW: STAINLESS STEEL, TYPE 304
 4. STEM: STAINLESS STEEL, TYPE 303
 5. O-RING: NITRILE RUBBER
 6. ENDBODY: CAST BRASS, ALLOY C89833
 7. SEATS: TEFLON
 8. BALL: CAST BRASS, ALLOY C89833
 9. CONDUCTOR SPRING: BRASS
 10. COMPRESSION SEAL: EPDM
 11. GRIPPER: STAINLESS STEEL, TYPE 302
 12. TAILNUT: CAST BRASS, ALLOY C83600
 13. INSULATOR: NYLON
 14. INSULATOR BODY: CAST BRASS, ALLOY C89833

- FEATURES:**
- ALL COMPONENTS CONFORM TO AWWA STANDARD C800 (ASTM B-584 UNS NO C89833 FOR ALL BRASS PARTS IN CONTACT WITH POTABLE WATER, AND ASTM B-62 AND ASTM B-584 UNS NO C83600 FOR ALL OTHER BRASS PARTS).
 - CONFORMS TO ANSI/NSF 372 (COMPLIANT WITH US Safe Drinking Water Act. PL 111-380)
 - CONFORMS TO ANSI/NSF STANDARD 61-8.
 - FLOW CAN BE IN EITHER DIRECTION.
 - ROTATION STOPS RESISTS 200 FT-LB TORQUE.
 - ENCAPSULATED LUGS UNDER CAP PROVIDE 90 DEGREE OPEN TO CLOSE OPERATION.
 - HOLE FOR ATTACHING CURB BOX ROD OR HANDLE IS PROVIDED IN CAP.
 - BLOWOUT PROOF DESIGN.
 - 300 PSI WORKING PRESSURE.

ORDERING INFORMATION:
FULL 360 ROTATION = ADD "R" TO END OF CATALOG NO.
HANDLE = ADD "H" TO END OF CATALOG NO.

Cambridge Brass considers the information in this submittal form to be correct at the time of publication. Item and option availability, including specifications, are subject to change without notice.

VALVE SIZE	CATALOG NO.	F.I.P.	CB COMP.	LENGTH	HEIGHT	APPROX. WT. LBS.
3/4"	202NL-HI3F3	3/4"	3/4"	3.31"	2.50"	
1"	202NL-HI4F4	1"	1"	3.84"	2.68"	
1 1/2"	202NL-HI6F6	1 1/2"	1 1/2"	5.52"	3.31"	
2"	202NL-HI7F7	2"	2"	5.86"	3.61"	

Submitted by: