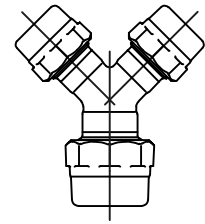


Cambridge Brass  
P.O. Box 249  
140 Orion Place  
Cambridge, Ontario  
Canada N1R 5V1  
Tel: (519) 621-5520  
Fax: (519) 621-8674  
http://www.cambridgebrass.com

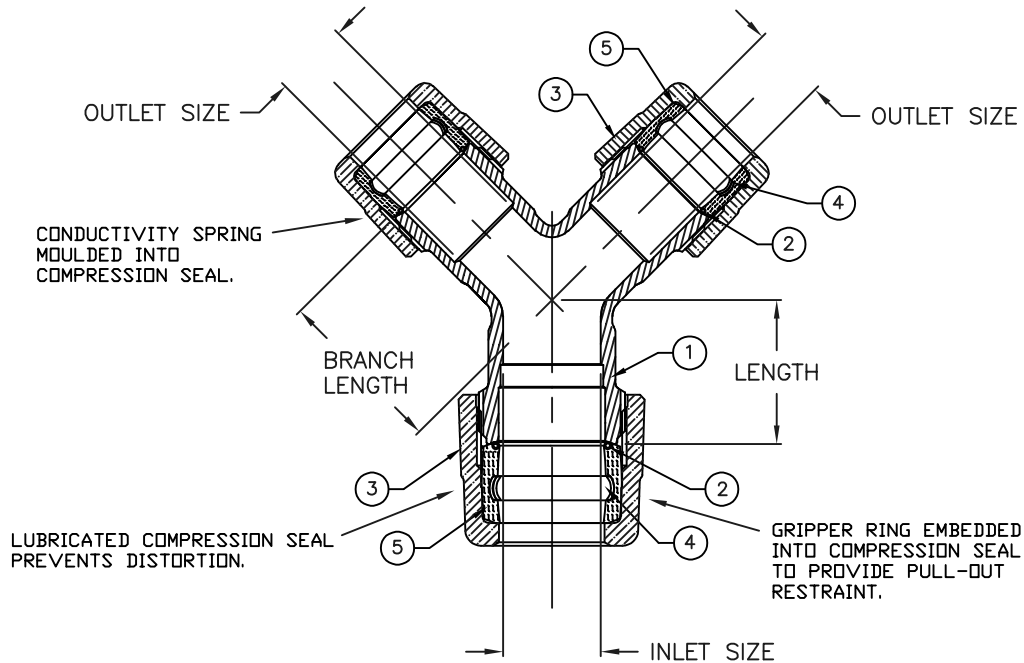


MODEL NO. 152NL

CB COMPRESSION x CB COMPRESSION  
x CB COMPRESSION

WYE - BRANCH

FOR COPPER OR PLASTIC (CTS) TUBING



- PARTS AND MATERIAL:
1. BODY: CAST BRASS, ALLOY C89833
  2. CONDUCTOR SPRING: BRASS
  3. COMPRESSION NUT: CAST BRASS, ALLOY C83600
  4. GRIPPER: STAINLESS STEEL, TYPE 302
  5. COMPRESSION SEAL: EPDM

FEATURES:

- CONFORMS TO AWWA C800 (ASTM B584 UNS C89833 FOR ALL BRASS PARTS IN CONTACT WITH POTABLE WATER)
- CONFORMS TO ANSI/NSF 61-8
- CONFORMS TO ANSI/NSF 372 (COMPLIANT WITH US Safe Drinking Water Act. PL 111-380)
- 300PSI WORKING PRESSURE

Cambridge Brass considers the information in this submittal form to be correct at the time of publication. Item and option availability, including specifications, are subject to change without notice.

SIZE	CATALOG NO.	INLET SIZE	OUTLET SIZE	LENGTH	BRANCH LENGTH	APPROX. WT. LBS.
3/4" x 3/4" x 3/4"	152NL-H3H3	3/4"	3/4"	3/4"	1.46"	
1" x 3/4" x 3/4"	152NL-H4H3	1"	3/4"	1.56"	1.83"	2.1
1 1/2" x 1" x 1"	152NL-H6H4	1 1/2"	1"	2.75"	1.44"	3.7
2" x 1" x 1"	152NL-H7H4	2"	1"	2.75"	1.44"	4.1

Submitted by: